

Standard Industrial Round Access Door

VentilationComponents.com's round access doors are durable and cost effective.



Application

- Suitable for mounting on ducting or equipment for various types of ventilation systems
- Various sizes available, built to suit flat or round ducts and vessels
- Pressure ratings ranging from 15inWC to 50inWC, with higher pressure ratings up to 100inWC available upon request

Features

- Welded to duct or vessel
- Heavy duty gasket and hinge
- Available in a variety of materials

Benefits

- The gasket is loaded evenly along the perimeter of the door to achieve a water tight seal
- Simple, reliable, and easy to maintain
- Heavy duty construction

Options

Size

Standard nominal sizes of 30.00in, 40.00in, and 50.00in are available and are built to suit flat or round duct and vessels. Larger sizes and custom sizes are available upon request.

Pressure rating

Three different pressure ratings are offered: 15inWC, 30inWC, and 50inWC. Custom pressure ratings up to 100inWC are available upon request.

Liquid tank application

Similar doors for liquid tank applications are available upon request.

Materials

A variety of materials are offered to suit different applications.

Primary material

- 304 stainless steel
- 316 stainless steel
- Corten steel
- Carbon steel painted, moderate exposure

Gasket material

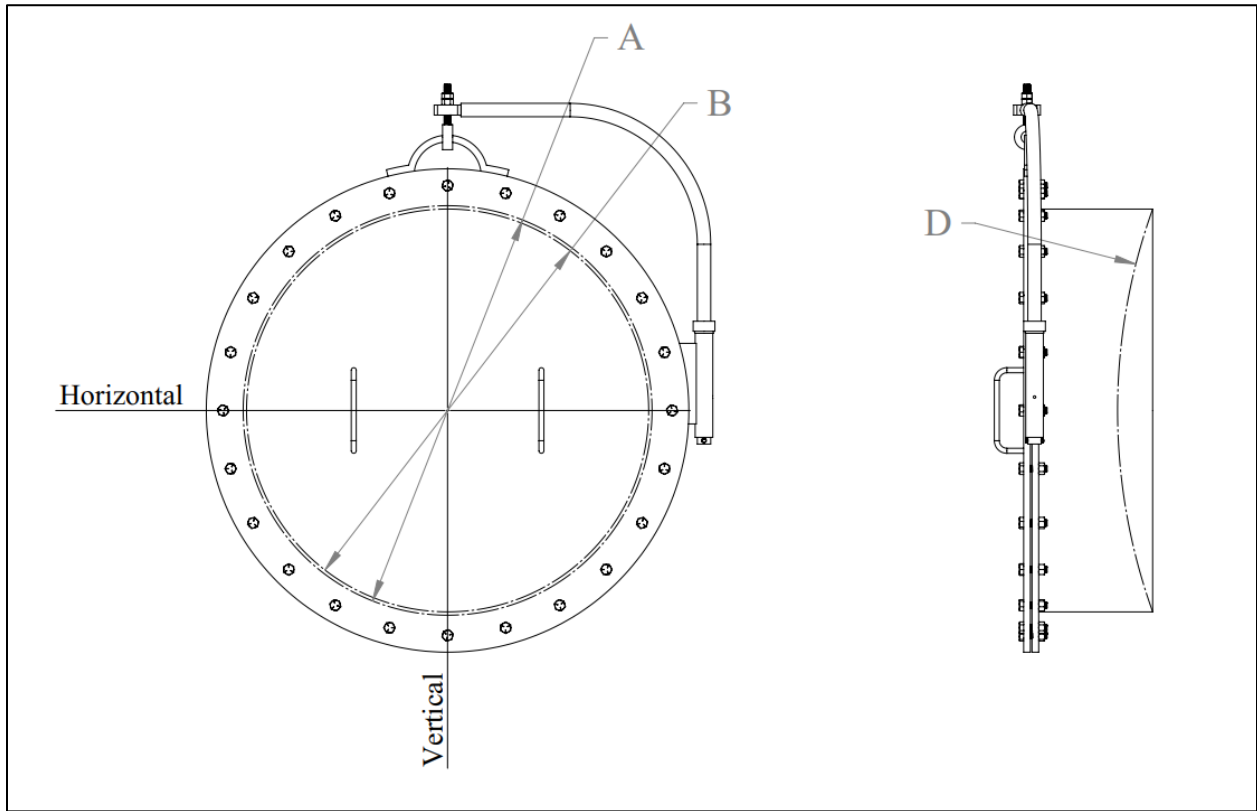
- EPDM
- Silicone

Hardware material

- 304 stainless steel
- 316 stainless steel
- Type 18-8 stainless steel
- Zinc chromate grade 5
- Carbon steel grade 5

Other materials not listed are available upon request.

Data and dimensions

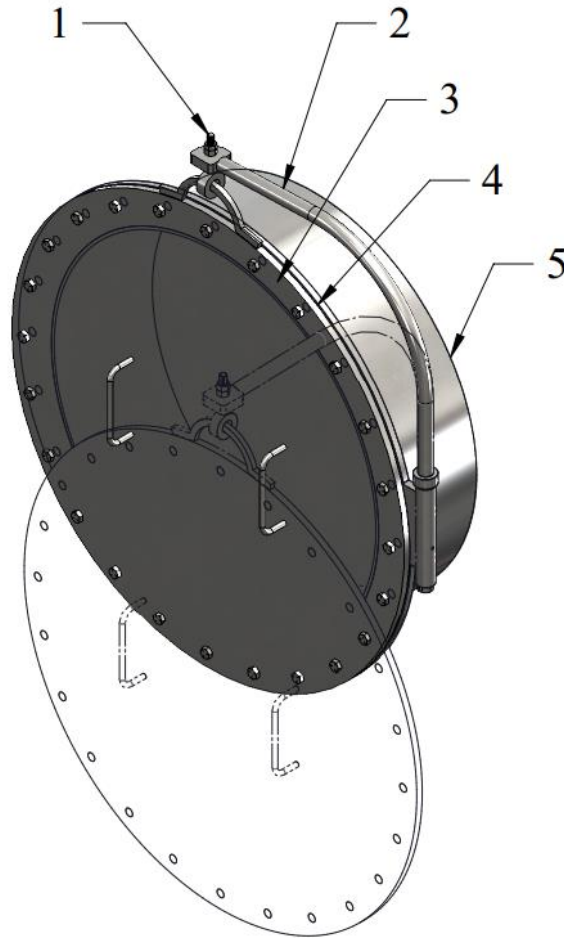


Item Number	"D"	"A"	"B"	Nominal Pressure Rating	Total Weight
	Horizontal or Vertical Duct or Vessel Size	Nominal Size	Duct or Vessel Opening Size (Flat)		
	inches	inches	inches	inWC	lb _m
AD-01-30-F	0 (Flat)	30.00	29.75	15	93
AD-01-30-C	0 (Flat)	30.00	29.63	30	148
AD-01-30-F	0 (Flat)	30.00	29.50	50	213
AD-01-30-C	Customer Specified	30.00	29.75	15	93
AD-01-30-C	Customer Specified	30.00	29.63	30	148
AD-01-30-C	Customer Specified	30.00	29.50	50	213
AD-01-40-F-15	0 (Flat)	40.00	39.75	15	185
AD-01-40-F-30	0 (Flat)	40.00	39.63	30	269
AD-01-40-F-50	0 (Flat)	40.00	39.50	50	348
AD-01-40-C-15	Customer Specified	40.00	39.75	15	185
AD-01-40-C-30	Customer Specified	40.00	39.63	30	269
AD-01-40-C-50	Customer Specified	40.00	39.50	50	348

Item Number	"D" Horizontal or Vertical Duct or Vessel Size	"A" Nominal Size	"B" Duct or Vessel Opening Size (Flat)	Nominal Pressure Rating	Total Weight
	inches	inches	inches	inWC	lb _m
AD-01-50-F-15	0 (Flat)	50.00	49.75	15	282
AD-01-50-F-30	0 (Flat)	50.00	49.63	30	386
AD-01-50-F-50	0 (Flat)	50.00	49.50	50	490
AD-01-50-C-15	Customer Specified	50.00	49.75	15	282
AD-01-50-C-30	Customer Specified	50.00	49.63	30	386
AD-01-50-C-50	Customer Specified	50.00	49.50	50	490

Notes

1. 3D model files and general arrangement drawings with installation details available upon order.
2. Duct or vessel diameter size must be minimum 2.00in larger than nominal size of door.
3. Off center to duct or vessel mounting options available upon request.
4. Hinge side to be specified by customer when placing order.



Parts list

Number	Quantity	Description
1	1	Upper hinge point assembly
2	1	Hinge
3	1	Gasket (see note 2)
4	1	Removable door cover weldment
5	1	Main door weldment

Notes

1. All hardware provided, unit is assembled when delivered.
2. The gasket is glued to the removable door cover weldment.
3. Warning signage available upon request.

How to order

To fully specify the AD-01 Round Access Door, make a selection from the code boxes below.

Example: AD-01-40-CV-RH-2-E-3-30, shown below, is a round access door of nominal 40.00in size with a right hand hinge, 316 stainless steel as the primary material, an EPDM gasket, type 18-8 stainless steel hardware, and a pressure rating of 30inWC. The customer has specified that the port be made to suit a 90.00in vertical diameter vessel.

1	2	3	4	5	6	7	8	9
AD	01	40	CV	RH	2	E	3	30
Specifications								
Please provide a drawing for our approval of the specified door that suits a 90.00in vertical duct.								

1	Equipment type							
AD	Access Door							
2	Equipment sub-type							
01	Round Access Door							
3	Nominal size							
30	Nominal 30.00in [762.0mm]				50	Nominal 50.00in [1270.0mm]		
40	Nominal 40.00in [1016.0mm]				C	Customer Specified Size		
4	Duct or vessel size							
FL	Flat				CV	Customer Specified Diameter Vertical		
CH	Custom Specified Diameter Horizontal				CC	Customer Specified Diameter and Angular Orientation		
5	Hinge Side							
LH	Observer's Left				RH	Observer's Right		
6	Primary material							
1	304 Stainless Steel				4	Painted Carbon Steel, Moderate Exposure		
2	316 Stainless Steel				C	Customer Specified Material		
3	Corten Steel							
7	Gasket material							
E	EPDM				R	Fiberglass Slotted Rope		
S	Silicone				C	Customer Specified Material		
8	Hardware material							
1	304 Stainless Steel				4	Zinc Chromate Grade 5		
2	316 Stainless Steel				5	Carbon Steel Grade 5		
3	Type 18-8 Stainless Steel				C	Customer Specified Material		
9	Pressure rating							
15	15inWC, Up to 4500fpm				50	50inWC, Up to 6000fpm		
30	30inWC, Up to 5000fpm				C	Customer Specified Pressure Rating		

Many types of customizations are available upon request.

Note: There are various factors which should be considered when selecting an access door for a specific application. Some of these factors are outside of the scope of this data sheet. If you have any questions regarding the application, compatibility, or use of this access door, contact VentilationComponents.com for more information.

Contact@VentilationComponents.com