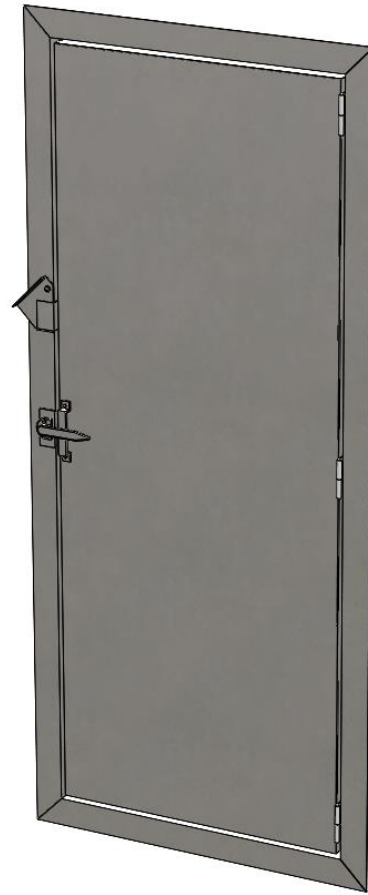


Standard Industrial Doorway Access Door

VentilationComponents.com's doorway access doors are durable and cost effective.



Application

- Suitable for mounting on ducting or equipment of various types of ventilation systems
- Various sizes available, built to suit flat ducts and vessels
- Pressure rating of -10inWC to +10inWC

Features

- Welded to duct or vessel
- Heavy duty gasket, handles, hinges, and safety stop
- Available in a variety of materials

Benefits

- The gasket is loaded evenly along the perimeter of the door to achieve a water tight seal
- Simple, reliable, and easy to maintain
- Heavy duty construction

Options

Size

Standard nominal sizes of 22.00in x 62.00in, 30.00in x 82.00in, and 36.00in x 60.00in are available and are built to suit flat duct and vessels. Larger sizes and custom sizes are available upon request.

Pressure rating

The pressure rating offered is -10inWC to +10inWC.

Materials

A variety of materials are offered to suit different applications.

Primary material

- 304 stainless steel
- 316 stainless steel
- Corten steel
- Carbon steel painted, moderate exposure

Gasket material

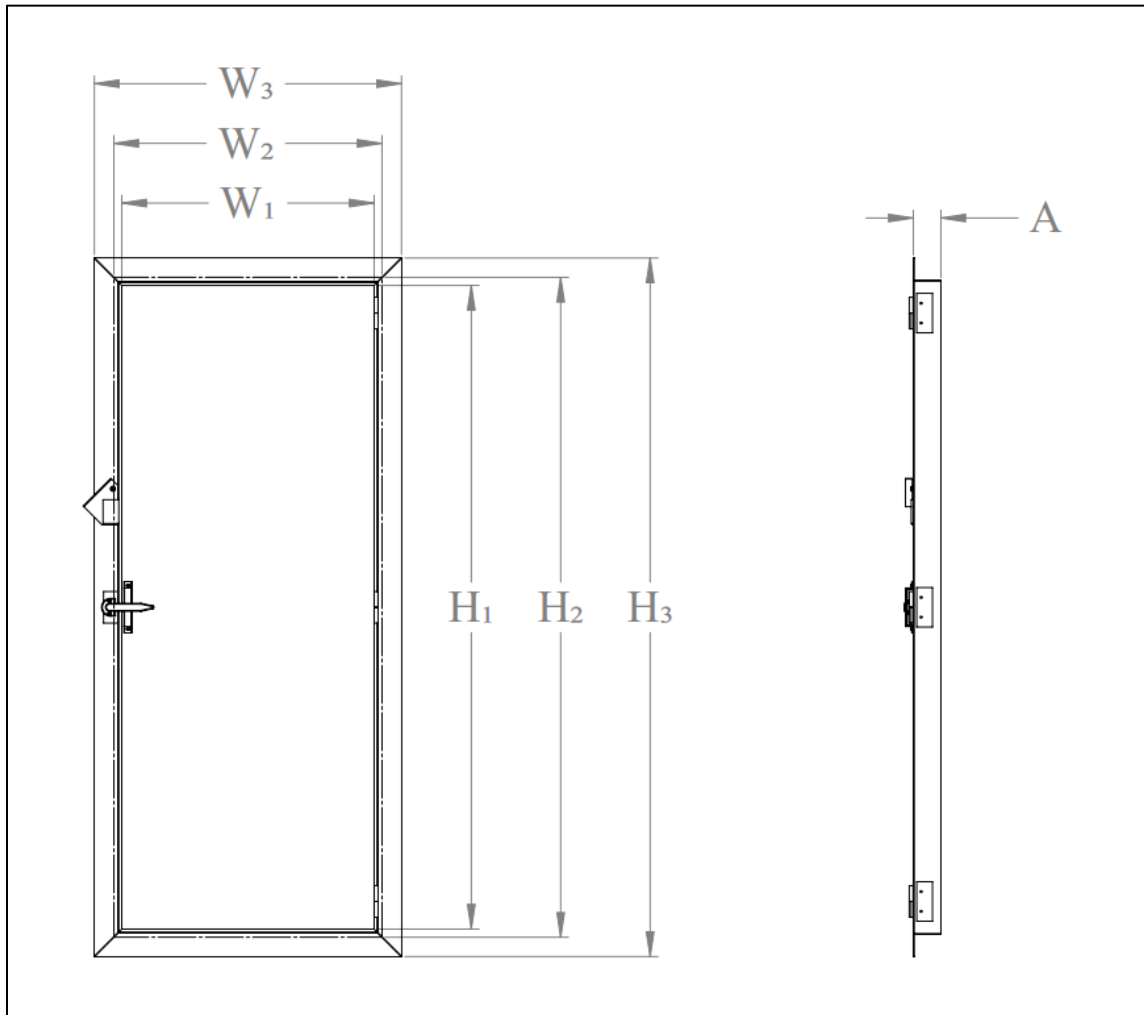
- EPDM
- Silicone

Hardware material

- 304 stainless steel
- 316 stainless steel
- Type 18-8 stainless steel
- Zinc chromate grade 5
- Carbon steel grade 5

Other materials not listed are available upon request.

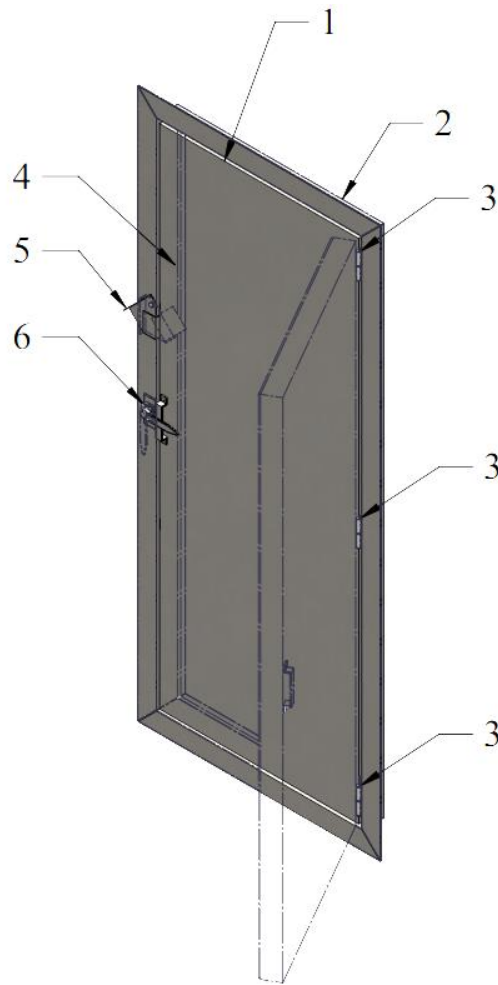
Data and dimensions



Item Number	" $W_1 \times H_1$ " Nominal Size	" $W_2 \times H_2$ " Duct or Vessel Opening Size	" $W_3 \times H_3$ " Overall Dimension	"A" Door Depth	Nominal Pressure Rating	Total Weight
AD-03-22x62	22.00 x 62.00	22.75 x 62.75	28.00 x 68.00	3.50	-10 to +10	197
AD-03-30x82	30.00 x 82.00	30.75 x 82.75	36.00 x 88.00	3.50	-10 to +10	279
AD-03-36x60	36.00 x 60.00	36.75 x 60.75	42.00 x 66.00	3.50	-10 to +10	243

Notes

1. 3D model files and general arrangement drawings with installation details available upon order.
2. Duct or vessel diameter size must be minimum 2.00in larger than nominal size of door.
3. Hinge side to be specified by customer when placing order.



Parts list

Number	Quantity	Description
1	1	Main door weldment (see note 2)
2	1	Main door frame weldment
3	3	Hinge
4	1	"P" shaped perimeter gasket
5	1	Safety stop
6	1	Access handle (see note 3)

Notes

1. All hardware provided, unit is assembled when delivered.
2. Main door weldment is insulated with 4lb density mineral wool.
3. The access handle has handles on both sides of the door.
4. Warning signage available upon request.

How to order

To fully specify the AD-03 Doorway Access Door, make a selection from the code boxes below.

Example: AD-03-30x82-LH-2-E-3-10, shown below, is a doorway access door of nominal 30in x 82in size and a pressure rating of -10inWC to +10inWC with a left hand hinge, 316 stainless steel as the primary material, an EPDM gasket, and type 18-8 stainless steel hardware.

1	2	3	4	5	6	8	9
AD	03	30x82	LH	2	E	3	10
Specifications							
Please provide a drawing for our approval of the specified door.							

1	Equipment type						
AD	Access Door						
2	Equipment sub-type						
03	Doorway Access Door						
3	Nominal size						
22x62	Nominal 22.00in x 62.00in [558.8mm x 1574.8mm]			36x60	Nominal 36.00in x 60.00in [914.4mm x 1524.0mm]		
30x82	Nominal 30.00in x 82.00in [762.0mm x 2082.8mm]			C	Customer Specified Size		
4	Hinge side						
LH	Observer's Left			RH	Observer's Right		
5	Primary material						
1	304 Stainless Steel			4	Painted Carbon Steel, Moderate Exposure		
2	316 Stainless Steel			C	Customer Specified Material		
3	Corten Steel						
6	Gasket material						
E	EPDM			R	Fiberglass Slotted Rope		
S	Silicone			C	Customer Specified Material		
7	Hardware material						
1	304 Stainless Steel			4	Zinc Chromate Grade 5		
2	316 Stainless Steel			5	Carbon Steel Grade 5		
3	Type 18-8 Stainless Steel			C	Customer Specified Material		
8	Pressure rating						
10	-10inWC to +10inWC, Up to 5000fpm						

Many types of customizations are available upon request.

Note: There are various factors which should be considered when selecting an access door for a specific application. Some of these factors are outside of the scope of this data sheet. If you have any questions regarding the application, compatibility, or use of this access door, contact VentilationComponents.com for more information.

Contact@VentilationComponents.com