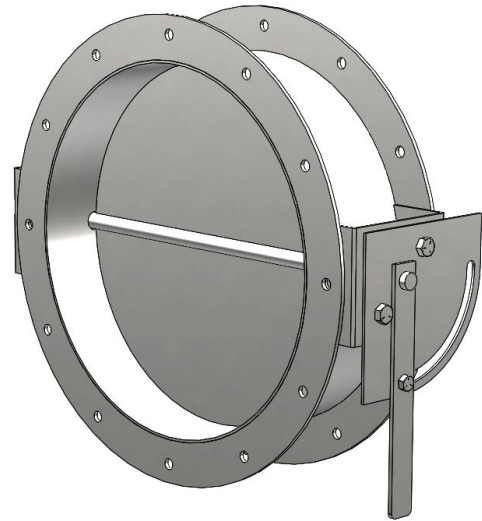


# Standard Industrial Round Manual Balancing Damper



VentilationComponents.com's round manual balancing dampers are durable and cost effective.

## Application

- Use for balancing of an airstream
- Various sizes available, built to suit round ducts and equipment
- Differential pressure ratings ranging from 15inWC to 50inWC available, with higher pressure ratings up to 100inWC available upon request

## Features

- Flanged inlet and outlet connections
- Manual lever with locking quadrant
- Available in a variety of materials

## Benefits

- Simple, reliable, and easy to maintain
- Heavy duty construction

## Options

### Size

Sizes ranging from 8.00in to 48.00in inside flange are available. Larger sizes are available upon request.

### Pressure rating

Three different pressure ratings are offered: up to 15inWC, up to 30inWC, and up to 50inWC. Custom pressure ratings up to 100inWC are available upon request.

### Flange bolt pattern

The flange bolt patterns follow our standard. Different patterns are available upon request.

### Materials

A variety of materials are offered to suit different applications.

#### Primary material

- 304 stainless steel
- 316 stainless steel
- Corten steel
- Carbon steel painted, moderate exposure

#### Bearing type

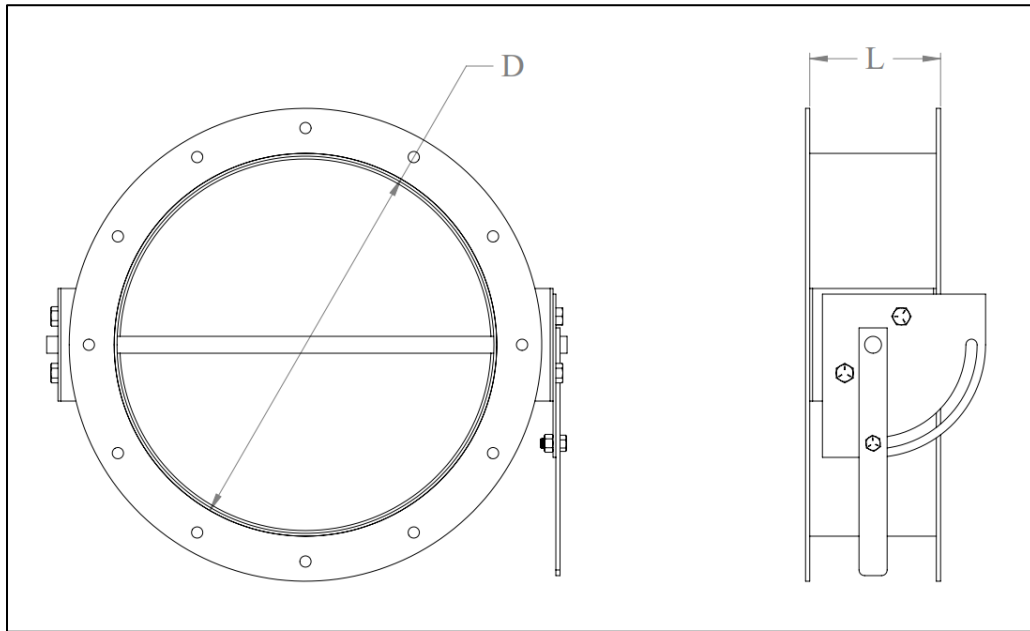
- Regular
- High temperature

#### Hardware material

- 304 stainless steel
- 316 stainless steel
- Type 18-8 stainless steel
- Zinc chromate grade 5
- Carbon steel grade 5

Other materials not listed are available upon request.

### Data and dimensions

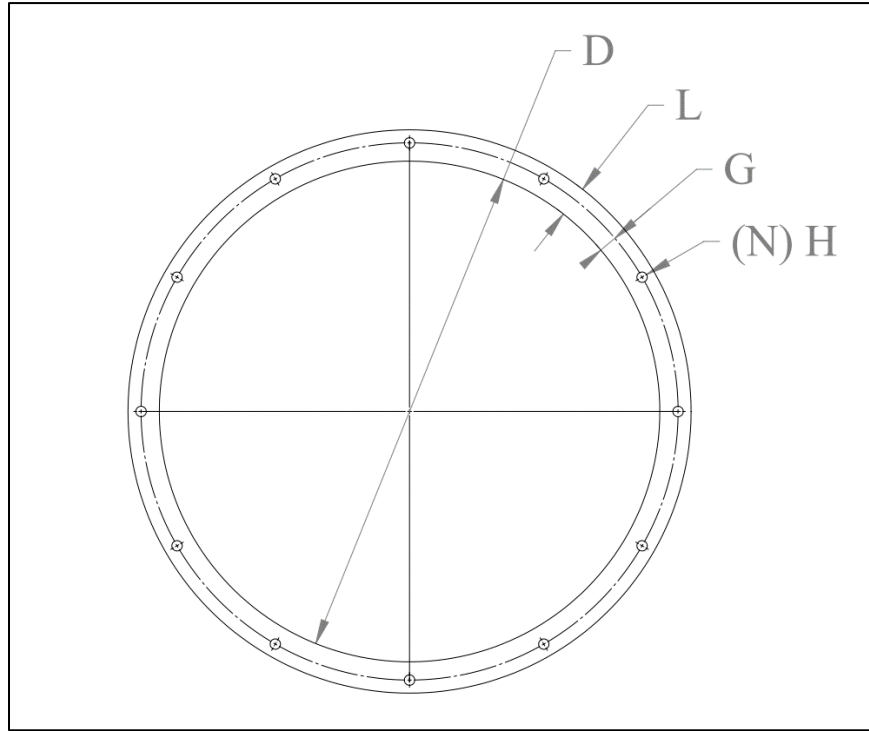


Item Number	"D" Nominal Size		Nominal Pressure Rating	"L" Length
	D <sub>LOWER</sub>	D <sub>UPPER</sub>		
	inches	inches	inWC	inches
DA-04-[8.00 to 16.00]-15	8.00	16.00	15	6.00
DA-04-[8.00 to 16.00]-30	8.00	16.00	30	6.00
DA-04-[8.00 to 16.00]-50	8.00	16.00	50	6.00
DA-04-[16.01 to 24.00]-15	16.01	24.00	15	8.50
DA-04-[16.01 to 24.00]-30	16.01	24.00	30	8.50
DA-04-[16.01 to 24.00]-50	16.01	24.00	50	8.50
DA-04-[24.01 to 31.00]-15	24.01	31.00	15	9.75
DA-04-[24.01 to 31.00]-30	24.01	31.00	30	9.75
DA-04-[24.01 to 31.00]-50	24.01	31.00	50	9.75
DA-04-[31.01 to 39.00]-15	31.01	39.00	15	11.75
DA-04-[31.01 to 39.00]-30	31.01	39.00	30	11.75
DA-04-[31.01 to 39.00]-50	31.01	39.00	50	11.75
DA-04-[39.01 to 46.00]-15	39.01	46.00	15	14.25
DA-04-[39.01 to 46.00]-30	39.01	46.00	30	14.25
DA-04-[39.01 to 46.00]-50	39.01	46.00	50	14.25
DA-04-[46.01 to 48.00]-15	46.01	48.00	15	15.00
DA-04-[46.01 to 48.00]-30	46.01	48.00	30	15.00
DA-04-[46.01 to 48.00]-50	46.01	48.00	50	15.00

Notes

1. Nominal Size to be specified by customer.
2. 3D model files and general arrangement drawings with installation details available upon order.

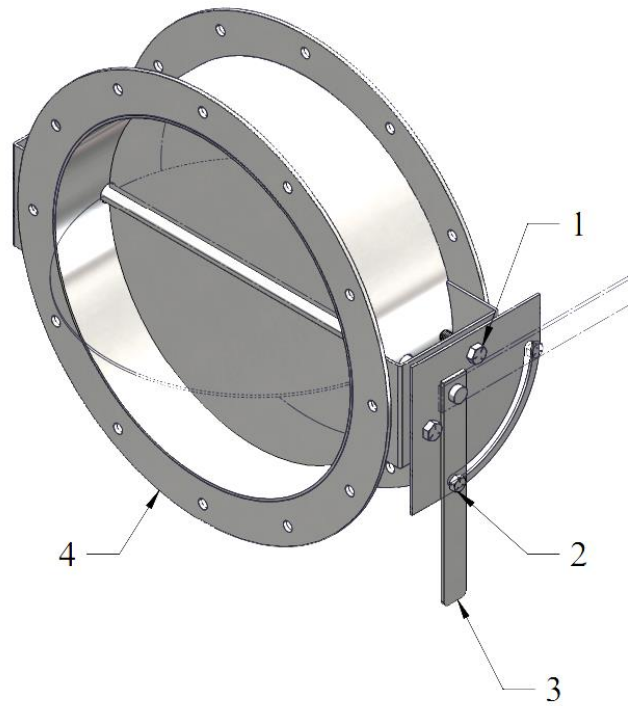
### Standard round flange details



"D" Nominal Size		"L" Flange Leg	"G" Gauge	"N" Number of Holes	"H" Hole Diameter	Bolt Size
D <sub>LOWER</sub> inches	D <sub>UPPER</sub> inches					
0	8.00	1.50	0.875	4	0.500	3/8
8.01	16.00	1.50	0.875	8	0.500	3/8
16.01	24.00	1.50	0.875	12	0.500	3/8
24.01	31.00	1.50	0.875	16	0.500	3/8
31.01	39.00	2.00	1.125	20	0.500	3/8
39.01	46.00	2.50	1.375	24	0.625	1/2
46.01	54.00	2.50	1.375	28	0.625	1/2
54.01	62.00	2.50	1.375	32	0.625	1/2
62.01	70.00	2.50	1.375	36	0.625	1/2
70.01	78.00	2.50	1.375	40	0.625	1/2
78.01	86.00	3.00	1.750	44	0.625	1/2
86.01	94.00	3.00	1.750	48	0.625	1/2
94.01	101.00	3.00	1.750	52	0.625	1/2
101.01	108.00	4.00	2.250	56	0.625	1/2
108.01	120.00	4.00	2.250	60	0.625	1/2

Notes

1. Holes always land on centerlines.



### Parts list

Number	Quantity	Description
1	2	Bearing
2	1	Lock bolt
3	1	Blade, shaft, and handle weldment
4	1	Main weldment

#### Notes

1. All hardware provided, unit is assembled when delivered.

## How to order

To fully specify the DA-04 Round Manual Balancing Damper, make a selection from the code boxes below.

**Example:** DA-04-C-2-R-3-30-S, shown below, is a round angled slide gate damper with 316 stainless steel as the primary material, regular bearings, type 18-8 stainless steel hardware, a 30inWC pressure rating, and our standard bolt pattern. The customer has specified that the damper be 32.00in diameter.

<b>1</b>	<b>2</b>	<b>3</b>	<b>4</b>	<b>5</b>	<b>6</b>	<b>7</b>	<b>8</b>
DA	04	C	2	R	3	30	S
<b>Specifications</b>							
Please build a 32.00in diameter round manual balancing damper, as specified.							

<b>1</b>	<b>Equipment type</b>		
DA	Damper		
<b>2</b>	<b>Equipment sub-type</b>		
04	Round Manual Balancing Damper		
<b>3</b>	<b>Nominal size</b>		
C	Customer Specified Size		
<b>4</b>	<b>Primary material</b>		
1	304 Stainless Steel	4	Painted Carbon Steel, Moderate Exposure
2	316 Stainless Steel	C	Customer Specified Material
3	Corten Steel		
<b>5</b>	<b>Bearing type</b>		
R	Regular	C	Customer Specified Type
H	High Temperature		
<b>6</b>	<b>Hardware material</b>		
1	304 Stainless Steel	4	Zinc Chromate Grade 5
2	316 Stainless Steel	5	Carbon Steel Grade 5
3	Type 18-8 Stainless Steel	C	Customer Specified Material
<b>7</b>	<b>Pressure rating</b>		
15	15inWC, Up to 4500fpm	50	50inWC, Up to 6000fpm
30	30inWC, Up to 5000fpm	C	Customer Specified Pressure Rating
<b>8</b>	<b>Flange bolt pattern</b>		
S	Standard	C	Customer Specified Flange Bolt Pattern

Many types of customizations are available upon request.

**Note:** There are various factors which should be considered when selecting a damper for a specific application. Some of these factors are outside of the scope of this data sheet. If you have any questions regarding the application, compatibility, or use of this damper, contact [VentilationComponents.com](http://VentilationComponents.com) for more information.





Contact@VentilationComponents.com