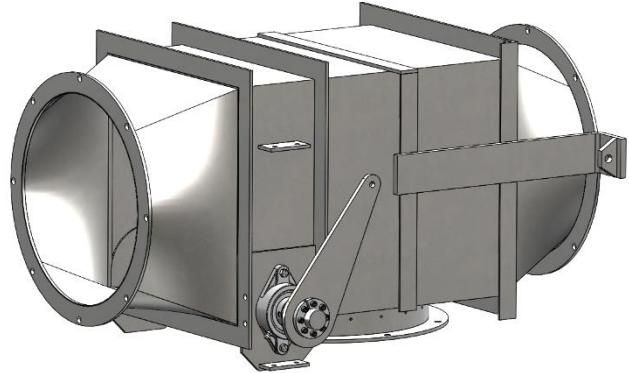


Standard Industrial 90 Degree Divert Damper



VentilationComponents.com's 90 degree divert dampers are durable and cost effective.

Application

- Used for diverting airflow
- Various sizes available, built to suit round ducts and equipment
- Differential pressure ratings ranging from 15inWC to 50inWC available, with higher pressure ratings up to 100inWC available upon request

Features

- Flanged inlet, outlet, and divert connections
- Tight sealing positive stop blade
- To be fitted with an electric, hydraulic, or pneumatic cylinder actuator
- Available in a variety of materials

Benefits

- Quickly divert air flows
- Simple, reliable, and easy to maintain
- Heavy duty construction

Function

- While in the run position with the cylinder retracted, the blade touches a perimeter seal, also known as a positive stop, at the divert port
- While in divert mode with the cylinder extended, the divert port is open and the adjacent port is closed

Options

Size

Sizes ranging from 8.00in to 60.00in inside flange are available. Larger sizes, and rectangular sizes, are available upon request.

Pressure rating

Three different pressure ratings are offered: up to 15inWC, up to 30inWC, and up to 50inWC. Custom pressure ratings up to 100inWC are available upon request.

Flange bolt pattern

The flange bolt patterns follow our standard. Different patterns, and rectangular flanges, are available upon request.

Actuator and limit switches supply

An actuator and limit switches, and corresponding accessories, can be provided upon request.

Actuator mount

The mounting hole sizes for the actuator are built to suit.

Safety guard supply

A safety guard can be provided upon request.

Materials

A variety of materials are offered to suit different applications.

Primary material

- 304 stainless steel
- 316 stainless steel
- Corten steel
- Carbon steel painted, moderate exposure

Bearing type

- Regular
- High temperature

Gasket material

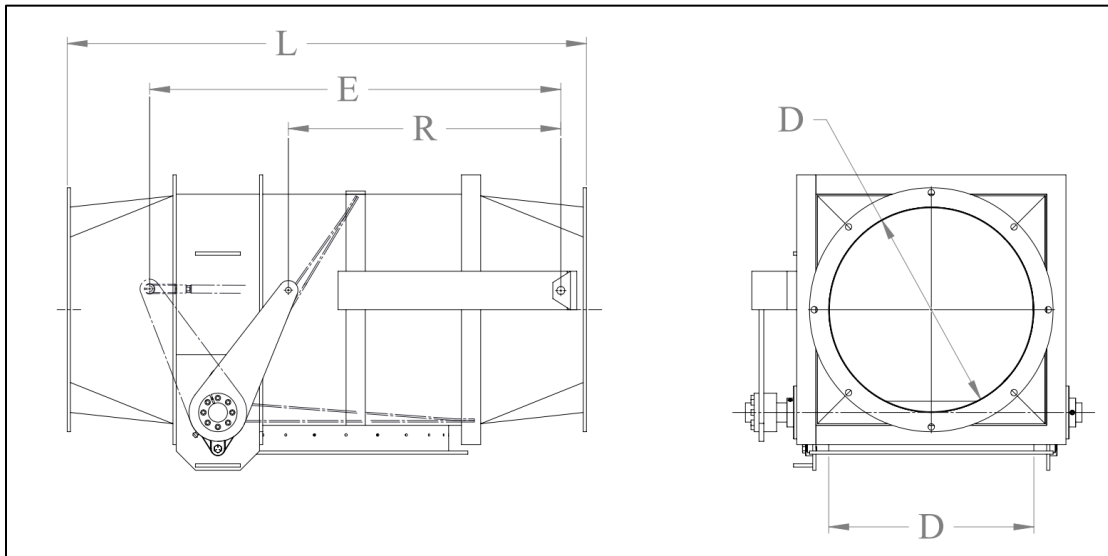
- EPDM
- Silicone

Hardware material

- 304 stainless steel
- 316 stainless steel
- Type 18-8 stainless steel
- Zinc chromate grade 5
- Carbon steel grade 5

Other materials not listed are available upon request.

Data and dimensions

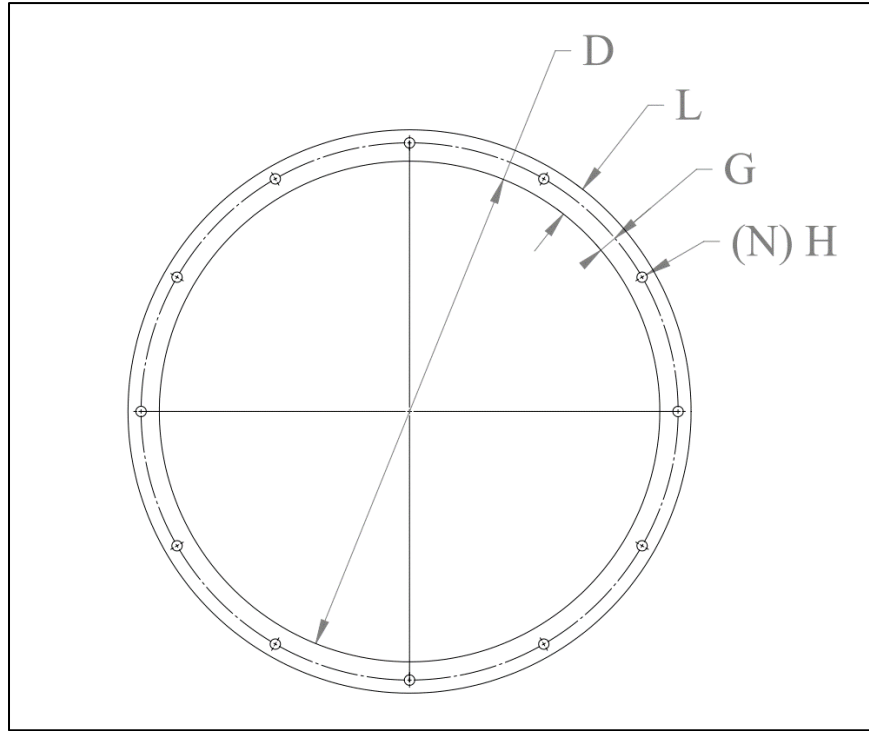


Item Number	"D" Nominal Size		Nominal Pressure Rating	"L" Length	"E" Extended Actuator Length	"R" Retracted Actuator Length	Actuator Minimum Torque Required
	D _{LOWER}	D _{UPPER}					
	inches	inches					
DA-10-[8.00 to 16.00]-15	8.00	16.00	15	40.00	32.50	21.00	321
DA-10-[8.00 to 16.00]-30	8.00	16.00	30	40.00	32.50	21.00	695
DA-10-[8.00 to 16.00]-50	8.00	16.00	50	40.00	32.50	21.00	1138
DA-10-[16.01 to 24.00]-15	16.01	24.00	15	50.00	39.50	27.00	685
DA-10-[16.01 to 24.00]-30	16.01	24.00	30	50.00	39.50	27.00	1174
DA-10-[16.01 to 24.00]-50	16.01	24.00	50	50.00	39.50	27.00	1932
DA-10-[24.01 to 31.00]-15	24.01	31.00	15	60.00	47.00	31.00	763
DA-10-[24.01 to 31.00]-30	24.01	31.00	30	60.00	47.00	31.00	1304
DA-10-[24.01 to 31.00]-50	24.01	31.00	50	60.00	47.00	31.00	2099
DA-10-[31.01 to 39.00]-15	31.01	39.00	15	70.00	55.50	32.00	1087
DA-10-[31.01 to 39.00]-30	31.01	39.00	30	70.00	55.50	32.00	1970
DA-10-[31.01 to 39.00]-50	31.01	39.00	50	70.00	55.50	32.00	3108
DA-10-[39.01 to 46.00]-15	39.01	46.00	15	80.00	72.00	41.00	1594
DA-10-[39.01 to 46.00]-30	39.01	46.00	30	80.00	72.00	41.00	3378
DA-10-[39.01 to 46.00]-50	39.01	46.00	50	80.00	72.00	41.00	4891
DA-10-[46.01 to 54.00]-15	46.01	54.00	15	90.00	83.00	46.00	2095
DA-10-[46.01 to 54.00]-30	46.01	54.00	30	90.00	83.00	46.00	4101
DA-10-[46.01 to 54.00]-50	46.01	54.00	50	90.00	83.00	46.00	5811
DA-10-[54.01 to 60.00]-15	54.01	60.00	15	100.00	91.50	51.00	2794
DA-10-[54.01 to 60.00]-30	54.01	60.00	30	100.00	91.50	51.00	5886
DA-10-[54.01 to 60.00]-50	54.01	60.00	50	100.00	91.00	51.00	8740

Notes

1. Nominal Size to be specified by customer.
2. 3D model files and general arrangement drawings with installation details available upon order.
3. All connections are the same size, unless requested otherwise.

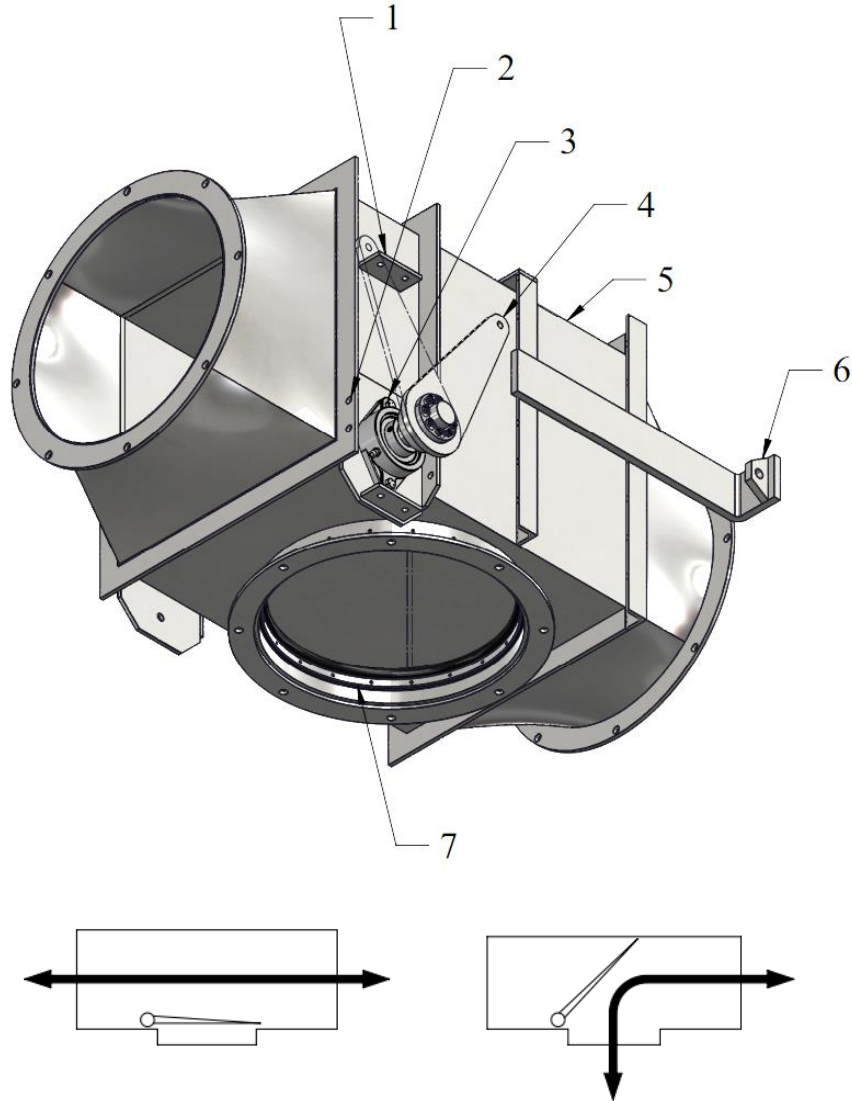
Standard round flange details



"D" Nominal Size		"L" Flange Leg	"G" Gauge	"N" Number of Holes	"H" Hole Diameter	Bolt Size
D _{LOWER} inches	D _{UPPER} inches					
0	8.00	1.50	0.875	4	0.500	3/8
8.01	16.00	1.50	0.875	8	0.500	3/8
16.01	24.00	1.50	0.875	12	0.500	3/8
24.01	31.00	1.50	0.875	16	0.500	3/8
31.01	39.00	2.00	1.125	20	0.500	3/8
39.01	46.00	2.50	1.375	24	0.625	1/2
46.01	54.00	2.50	1.375	28	0.625	1/2
54.01	62.00	2.50	1.375	32	0.625	1/2
62.01	70.00	2.50	1.375	36	0.625	1/2
70.01	78.00	2.50	1.375	40	0.625	1/2
78.01	86.00	3.00	1.750	44	0.625	1/2
86.01	94.00	3.00	1.750	48	0.625	1/2
94.01	101.00	3.00	1.750	52	0.625	1/2
101.01	108.00	4.00	2.250	56	0.625	1/2
108.01	120.00	4.00	2.250	60	0.625	1/2

Notes

1. Holes always land on centerlines.



Parts list

Number	Quantity	Description
1	2	Safety guard mount
2	2	Limit switch mount
3	1	Bearing
4	1	Lever, adjustable hub, and blade
5	1	Main weldment
6	1	Actuator mount
7	1	"P" shaped perimeter gasket

Notes

1. All hardware provided, unit is assembled when delivered.

How to order

To fully specify the DA-10 90 Degree Divert Damper, make a selection from the code boxes below.

Example: DA-10-C-2-R-3-30-S-C-C-C, shown below, is a 90 degree divert damper with 316 stainless steel as the primary material, regular bearings, an EPDM gasket, type 18-8 stainless steel hardware, a 30inWC pressure rating, and our standard bolt pattern. The customer has specified that the damper be 32.00in diameter and has provided a document for the actuator mount holes to suit. The customer plans to provide the actuator, limit switches, safety guard, and their corresponding accessories.

1	2	3	4	5	6	7	8	9	10	11	12
DA	10	C	2	R	E	3	30	S	C	C	C
Specifications											
Please provide a drawing for our approval of a 32.00in diameter 90 degree divert damper, as specified, with actuator mount holes that suit the cylinder actuator in the attached document.											

1	Equipment type		
DA	Damper		
2	Equipment sub-type		
10	90 Degree Divert Damper		
3	Nominal size		
C	Customer Specified Size		
4	Primary material		
1	304 Stainless Steel	4	Painted Carbon Steel, Moderate Exposure
2	316 Stainless Steel	C	Customer Specified Material
3	Corten Steel		
5	Bearing type		
R	Regular	C	Customer Specified Type
H	High Temperature		
6	Gasket material		
E	EPDM	C	Customer Specified Material
S	Silicone		
7	Hardware material		
1	304 Stainless Steel	4	Zinc Chromate Grade 5
2	316 Stainless Steel	5	Carbon Steel Grade 5
3	Type 18-8 Stainless Steel	C	Customer Specified Material
8	Pressure rating		
15	15inWC, Up to 4500fpm	50	50inWC, Up to 6000fpm
30	30inWC, Up to 5000fpm	C	Customer Specified Pressure Rating
9	Flange bolt pattern		
S	Standard	C	Customer Specified Flange Bolt Pattern
10	Actuator, limit switches, and accessories supply		
C	Customer	V	VentilationComponents.com
11	Actuator mount details		
C	Customer Supplied Details	V	VentilationComponents.com Supplied Details
12	Safety guard supply		
C	Customer Supplied	V	VentilationComponents.com Supplied

Many types of customizations are available upon request.

Note: There are various factors which should be considered when selecting a damper for a specific application. Some of these factors are outside of the scope of this data sheet. If you have any questions regarding the application, compatibility, or use of this damper, contact VentilationComponents.com for more information.

Contact@VentilationComponents.com