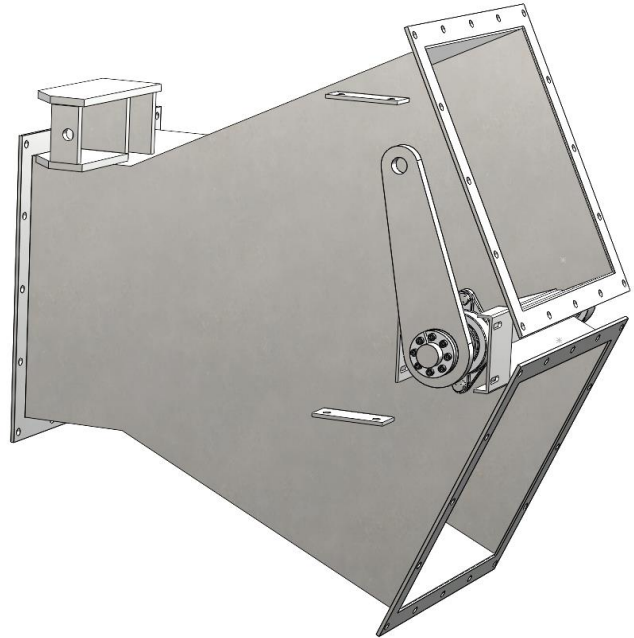


Standard Industrial Angled Divert Damper



VentilationComponents.com's angled divert dampers are durable and cost effective.

Application

- Used for diverting airflow
- Ideal for dust conveying, material handling, or trim conveying systems
- Various sizes available, built to suit rectangular ducts and equipment
- Differential pressure ratings ranging from 15inWC to 50inWC available, with higher pressure ratings up to 100inWC available upon request

Features

- Flanged inlet, outlet, and divert connections
- Tight sealing positive stop blade
- To be fitted with a cylinder lever actuator
- Available in a variety of materials

Benefits

- Quickly divert air flows
- Smooth internal flow for minimal head loss
- Simple, reliable, and easy to maintain
- Heavy duty construction

Function

- The blade touches a positive stop at either position
- The internal surfaces of the damper are smooth, which avoids hang ups or blockages
- The flow is quickly diverted

Options

Size

Sizes ranging from 8.00in x 8.00in to 60.00in x 60.00in inside flange are available. Larger sizes are available upon request.

Pressure rating

Three different pressure ratings are offered: up to 15inWC, up to 30inWC, and up to 50inWC. Custom pressure ratings up to 100inWC are available upon request.

Flange bolt pattern

The flange bolt pattern follows our standard. Different patterns are available upon request.

Actuator and limit switches supply

An actuator and limit switches, and corresponding accessories, can be provided upon request.

Actuator mount

The mounting hole sizes for the actuator are built to suit.

Safety guard supply

A safety guard can be provided upon request.

Materials

A variety of materials are offered to suit different applications.

Primary material

- 304 stainless steel
- 316 stainless steel
- Corten steel
- Carbon steel painted, moderate exposure

Bearing type

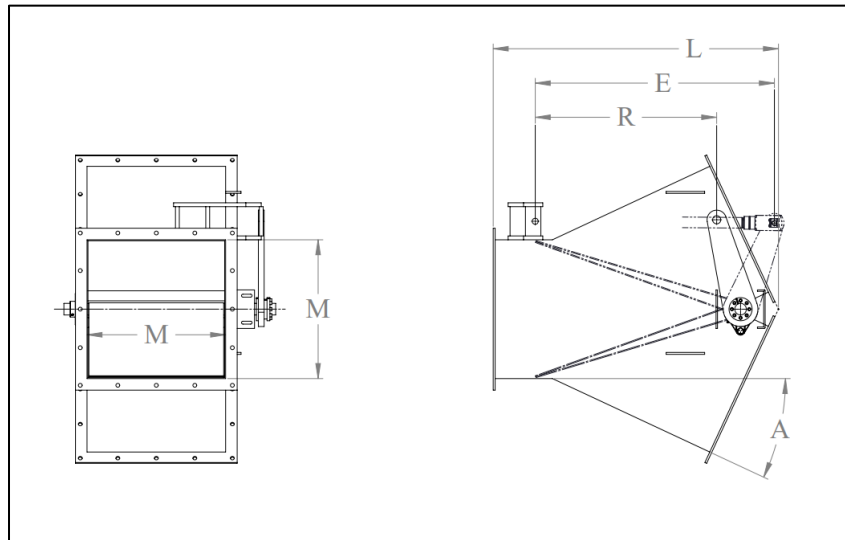
- Regular
- High temperature

Hardware material

- 304 stainless steel
- 316 stainless steel
- Type 18-8 stainless steel
- Zinc chromate grade 5
- Carbon steel grade 5

Other materials not listed are available upon request.

Data and dimensions

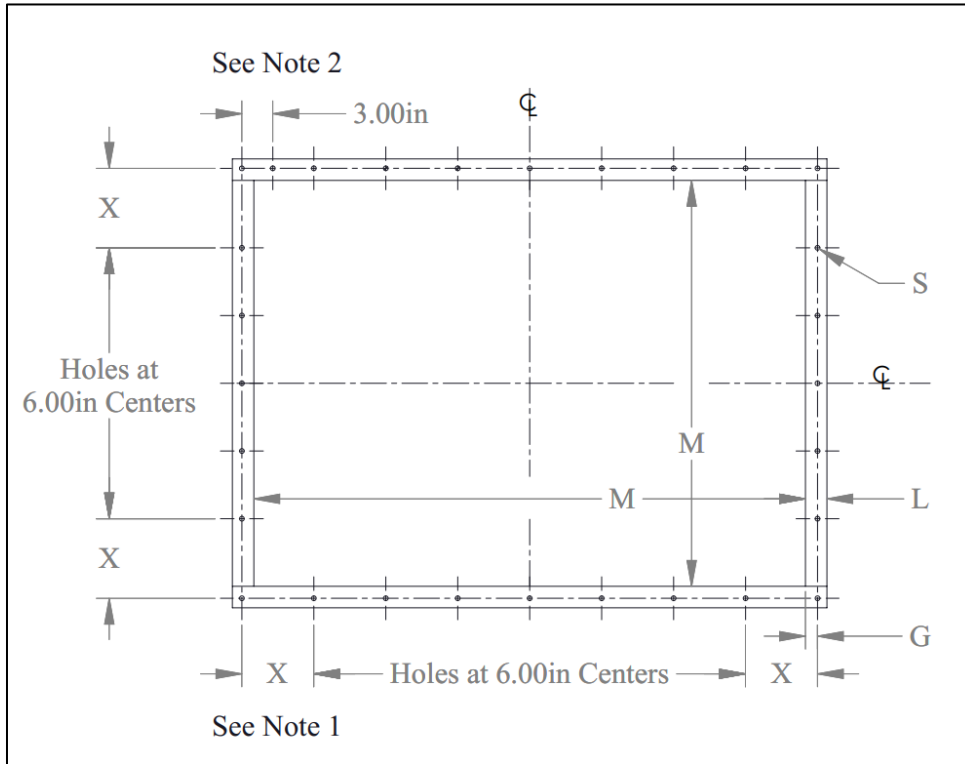


Item Number	"M" Largest Dimension Width or Height		Nominal Pressure Rating	"L" Length	"E" Extended Actuator Length	"R" Retracted Actuator Length	"A" Branch Angle	Actuator Minimum Torque Required
	M _{LOWER}	M _{UPPER}						
	inches	inches						
DA-11-[8.00 to 16.00]-15	8.00	16.00	15	35.00	31.00	24.00	25	401
DA-11-[8.00 to 16.00]-30	8.00	16.00	30	35.00	31.00	24.00	25	869
DA-11-[8.00 to 16.00]-50	8.00	16.00	50	35.00	31.00	24.00	25	1423
DA-11-[16.01 to 24.00]-15	16.01	24.00	15	43.00	39.50	31.00	25	856
DA-11-[16.01 to 24.00]-30	16.01	24.00	30	43.00	39.50	31.00	25	1468
DA-11-[16.01 to 24.00]-50	16.01	24.00	50	43.00	39.50	31.00	25	2415
DA-11-[24.01 to 31.00]-15	24.01	31.00	15	51.00	47.00	35.50	25	954
DA-11-[24.01 to 31.00]-30	24.01	31.00	30	51.00	47.00	35.50	25	1630
DA-11-[24.01 to 31.00]-50	24.01	31.00	50	51.00	47.00	35.50	25	2624
DA-11-[31.01 to 39.00]-15	31.01	39.00	15	59.00	55.50	40.00	25	1359
DA-11-[31.01 to 39.00]-30	31.01	39.00	30	59.00	55.50	40.00	25	2463
DA-11-[31.01 to 39.00]-50	31.01	39.00	50	59.00	55.50	40.00	25	3885
DA-11-[39.01 to 46.00]-15	39.01	46.00	15	65.00	71.00	52.50	25	1993
DA-11-[39.01 to 46.00]-30	39.01	46.00	30	65.00	71.00	52.50	25	4223
DA-11-[39.01 to 46.00]-50	39.01	46.00	50	65.00	71.00	52.50	25	6114
DA-11-[46.01 to 54.00]-15	46.01	54.00	15	74.00	80.50	57.25	25	2619
DA-11-[46.01 to 54.00]-30	46.01	54.00	30	74.00	80.50	57.25	25	5126
DA-11-[46.01 to 54.00]-50	46.01	54.00	50	74.00	80.50	57.25	25	7264
DA-11-[54.01 to 60.00]-15	54.01	60.00	15	84.00	89.00	60.26	25	3493
DA-11-[54.01 to 60.00]-30	54.01	60.00	30	84.00	89.00	60.25	25	7358
DA-11-[54.01 to 60.00]-50	54.01	60.00	50	84.00	89.00	60.25	25	10925

Notes

1. Nominal Size to be specified by customer.
2. 3D model files and general arrangement drawings with installation details available upon order.
3. All connections are the same size, unless requested otherwise.

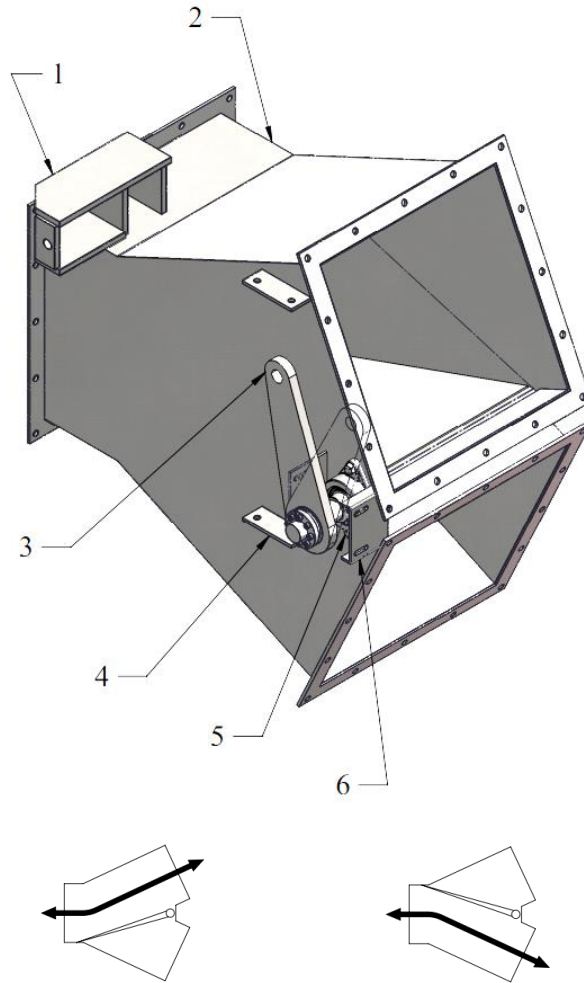
Standard rectangular flange details



"M" Largest Dimension Width or Height		"L" Flange Leg	"G" Gauge	"S" Hole Diameter	Bolt Size
M _{LOWER}	M _{UPPER}				
inches	inches	inches	inches	inches	inches
0	31.00	1.50	0.875	0.500	3/8
31.01	39.00	2.00	1.125	0.500	3/8
39.01	78.00	2.50	1.375	0.625	1/2
78.01	101.00	3.00	1.750	0.625	1/2
101.01	120.00	4.00	2.250	0.625	1/2

Notes

1. "X" is minimum 2.50in and maximum 8.50in.
2. If "X" is greater than 6.00in, add an extra hole 3.00in from corner hole.
3. Holes always land on centerlines and corners.



Parts list

Number	Quantity	Description
1	2	Actuator mount
2	2	Main weldment
3	1	Lever, adjustable hub, and blade
4	1	Safety guard mount
5	1	Bearing
6	1	Limit switch mount

Notes

1. All hardware provided, unit is assembled when delivered.

How to order

To fully specify the DA-11 Angled Divert Damper, make a selection from the code boxes below.

Example: DA-11-C-2-R-3-30-S-C-C-C, shown below, is an angled divert damper with 316 stainless steel as the primary material, regular bearings, type 18-8 stainless steel hardware, a 30inWC pressure rating, and our standard bolt pattern. The customer has specified that the damper be 44.00in height and 20.00in width and has provided a document for the actuator mount holes to suit. The customer plans to provide the actuator, limit switches, safety guard, and their corresponding accessories.

1	2	3	4	5	6	7	8	9	10	11
DA	11	C	2	R	3	30	S	C	C	C
Specifications										
Please provide a drawing for our approval of a 44.00in height and 20.00in width angled divert damper, as specified, with actuator mount holes that suit the attached document.										

1	Equipment type									
DA	Damper									
2	Equipment sub-type									
11	Angled Divert Damper									
3	Nominal size									
C	Customer Specified Size									
4	Primary material									
1	304 Stainless Steel				4	Painted Carbon Steel, Moderate Exposure				
2	316 Stainless Steel				C	Customer Specified Material				
3	Corten Steel									
5	Bearing type									
R	Regular				C	Customer Specified Type				
H	High Temperature									
6	Hardware material									
1	304 Stainless Steel				4	Zinc Chromate Grade 5				
2	316 Stainless Steel				5	Carbon Steel Grade 5				
3	Type 18-8 Stainless Steel				C	Customer Specified Material				
7	Pressure rating									
15	15inWC, Up to 4500fpm				50	50inWC, Up to 6000fpm				
30	30inWC, Up to 5000fpm				C	Customer Specified Pressure Rating				
8	Flange bolt pattern									
S	Standard				C	Customer Specified Flange Bolt Pattern				
9	Actuator, limit switches, and accessories supply									
C	Customer				V	VentilationComponents.com				
10	Actuator mount details									
C	Customer Supplied Details				V	VentilationComponents.com Supplied Details				
11	Safety guard supply									
C	Customer Supplied				V	VentilationComponents.com Supplied				

Many types of customizations are available upon request.

Note: There are various factors which should be considered when selecting a damper for a specific application. Some of these factors are outside of the scope of this data sheet. If you have any questions regarding the application, compatibility, or use of this damper, contact VentilationComponents.com for more information.

Contact@VentilationComponents.com