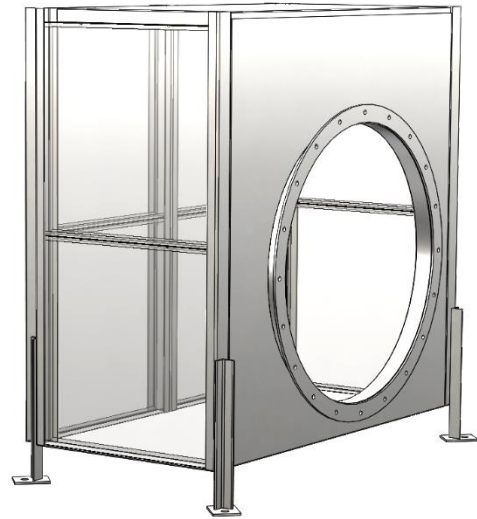


# Standard Industrial Fan Intake Filter Housing

VentilationComponents.com's fan intake filter housings are durable and cost effective.



## Application

- Use at the inlet of a fan to filter the ambient intake air
- Various sizes built to service airflows ranging from 2,000cfm to 32,000cfm available, with larger sizes available upon request

## Features

- Flanged outlet with expanded metal screen
- Available in a variety of materials
- Support legs can be field mounted to the housing

## Benefits

- Simple, reliable, and easy to maintain
- Heavy duty construction

## Function

- Filters slide in from the top and are held in place by the vertical channels

## Options

### Nominal capacity

Nominal capacities ranging from 2,000cfm to 32,000cfm are available. Larger sizes are available upon request.

### Outlet height

The outlet height can be built to suit customer specifications or the support legs can be shipped loose for field mounting.

### Filter type

The filters used are metal and washable. They have a nominal capacity of 2,000cfm each and have a nominal size of 24.00in x 24.00in x 2.00in.

### Flange bolt pattern

The flange bolt pattern follows our standard. Different patterns are available upon request.

## Materials

A variety of materials are offered to suit different applications.

### Primary material

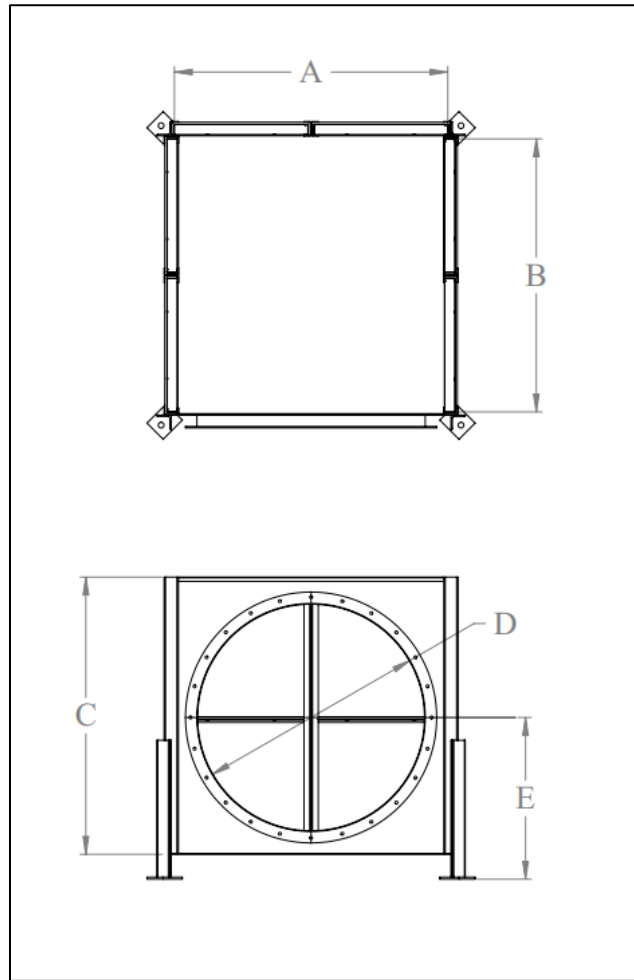
- 304 stainless steel
- 316 stainless steel
- Corten steel
- Carbon steel painted, moderate exposure

### Filter type

- 316 stainless steel washable
- Carbon steel washable

Other materials not listed are available upon request.

### Data and dimensions

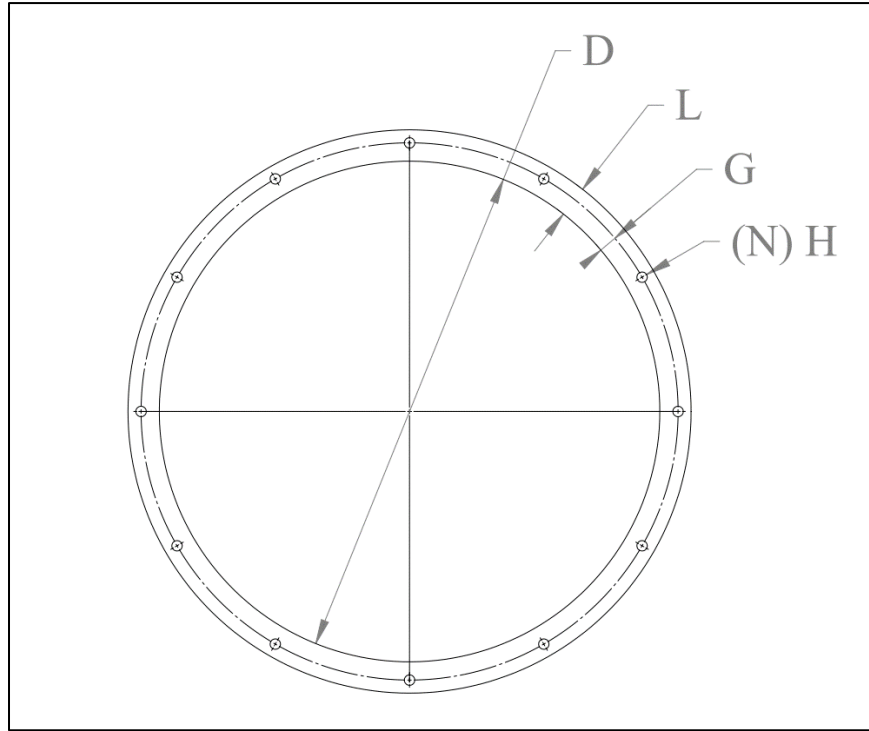


Item Number	Total Number of Filters	Nominal Capacity	"A"	"B"	"C"	"D" Outlet Size	"E" Outlet Height
	quantity	cfm	inches	inches	inches	inches	inches
FH-01-2000	1	2000	24.00	10.00	24.00	Customer Specified	Customer Specified
FH-01-4000	2	4000	24.00	12.00	48.00	Customer Specified	Customer Specified
FH-01-6000	3	6000	24.00	15.00	72.00	Customer Specified	Customer Specified
FH-01-8000	4	8000	48.00	16.00	48.00	Customer Specified	Customer Specified
FH-01-12000	6	12000	72.00	20.00	48.00	Customer Specified	Customer Specified
FH-01-16000	8	16000	48.00	24.00	48.00	Customer Specified	Customer Specified
FH-01-20000	10	20000	72.00	24.00	48.00	Customer Specified	Customer Specified
FH-01-24000	12	24000	48.00	48.00	48.00	Customer Specified	Customer Specified
FH-01-28000	14	28000	72.00	48.00	48.00	Customer Specified	Customer Specified
FH-01-32000	16	32000	48.00	72.00	48.00	Customer Specified	Customer Specified

Notes

- 3D model files and general arrangement drawings with installation details available upon order.

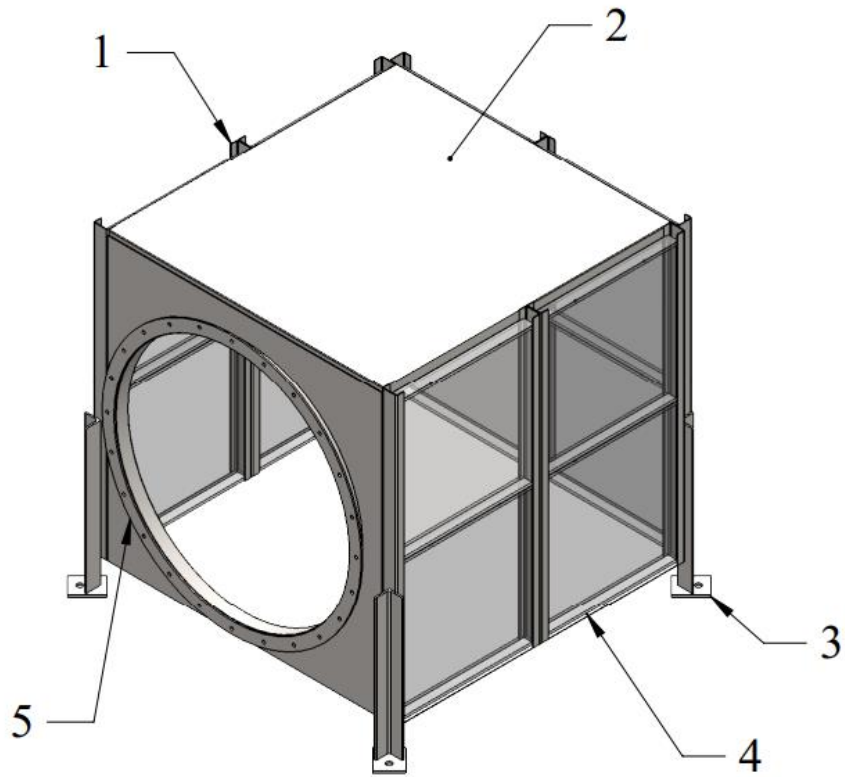
## Standard round flange details



"D" Nominal Size		"L" Flange Leg	"G" Gauge	"N" Number of Holes	"H" Hole Diameter	Bolt Size
D <sub>LOWER</sub> inches	D <sub>UPPER</sub> inches					
0	8.00	1.50	0.875	4	0.500	3/8
8.01	16.00	1.50	0.875	8	0.500	3/8
16.01	24.00	1.50	0.875	12	0.500	3/8
24.01	31.00	1.50	0.875	16	0.500	3/8
31.01	39.00	2.00	1.125	20	0.500	3/8
39.01	46.00	2.50	1.375	24	0.625	1/2
46.01	54.00	2.50	1.375	28	0.625	1/2
54.01	62.00	2.50	1.375	32	0.625	1/2
62.01	70.00	2.50	1.375	36	0.625	1/2
70.01	78.00	2.50	1.375	40	0.625	1/2
78.01	86.00	3.00	1.750	44	0.625	1/2
86.01	94.00	3.00	1.750	48	0.625	1/2
94.01	101.00	3.00	1.750	52	0.625	1/2
101.01	108.00	4.00	2.250	56	0.625	1/2
108.01	120.00	4.00	2.250	60	0.625	1/2

Notes

1. Holes always land on centerlines.



### Parts list

Number	Quantity	Description
1	Varies	Vertical channel
2	1	Housing
3	Varies	Support leg
4	Varies	Filter
5	1	Outlet with expanded metal screen

Notes

1. All hardware, including filters, provided. Unit is assembled when delivered.

## How to order

To fully specify the FH-01 Fan Intake Filter Housing, make a selection from the code boxes below.

**Example:** FH-01-16000-2-1-S-C, shown below, is a fan intake filter housing with a 16,000 cfm nominal capacity, 316 stainless steel as the primary material, and 316 stainless steel washable filters. The customer has provided a document for the filter housing outlet’s size, height, and flange bolt pattern to suit.

1	2	3	4	5	6	7
FH	01	16000	2	1	S	C

Specifications						
Please provide a drawing for our approval of a fan intake filter housing, as specified, with the outlet’s size, height, and flange bolt pattern matching the fan inlet in the attached document.						

<b>1</b>	<b>Equipment type</b>					
<b>FH</b>	Filter Housing					
<b>2</b>	<b>Equipment sub-type</b>					
<b>01</b>	Fan Intake Filter Housing					
<b>3</b>	<b>Capacity</b>					
<b>2000</b>	Nominal 2,000cfm			<b>20000</b>	Nominal 20,000cfm	
<b>4000</b>	Nominal 4,000cfm			<b>24000</b>	Nominal 24,000cfm	
<b>6000</b>	Nominal 6,000cfm			<b>28000</b>	Nominal 28,000cfm	
<b>8000</b>	Nominal 8,000cfm			<b>32000</b>	Nominal 32,000cfm	
<b>12000</b>	Nominal 12,000cfm			<b>C</b>	Customer Specified Size	
<b>16000</b>	Nominal 16,000cfm					
<b>4</b>	<b>Primary material</b>					
<b>1</b>	304 Stainless Steel			<b>4</b>	Painted Carbon Steel, Moderate Exposure	
<b>2</b>	316 Stainless Steel			<b>C</b>	Customer Specified Material	
<b>3</b>	Corten Steel					
<b>5</b>	<b>Filter type</b>					
<b>1</b>	316 stainless steel washable 24.00in x 24.00in x 2.00in			<b>C</b>	Customer Specified Filter Type	
<b>2</b>	Aluminum washable 24.00in x 24.00in x 2.00in					
<b>6</b>	<b>Outlet size and height</b>					
<b>C</b>	Customer specified outlet size and height					
<b>7</b>	<b>Flange bolt pattern</b>					
<b>S</b>	Standard			<b>C</b>	Customer Specified Flange Bolt Pattern	

Many types of customizations are available upon request.

**Note:** There are various factors which should be considered when selecting a filter housing for a specific application. Some of these factors are outside of the scope of this data sheet. If you have any questions regarding the application, compatibility, or use of this filter housing, contact [VentilationComponents.com](http://VentilationComponents.com) for more information.





Contact@VentilationComponents.com