

Standard Industrial Slide In Filter Housing

VentilationComponents.com's
slide in filter housings are
durable and cost effective.



Application

- Use in an airstream where it is important not to interrupt the system operation while filters are replaced
- Various sizes built to service airflows ranging from 2,000cfm to 32,000cfm available, with larger sizes available upon request
- Pressure ratings ranging from 15inWC to 50inWC available, with higher pressure ratings up to 100inWC available upon request

Features

- Flanged inlet and outlet connections
- Available in a variety of materials

Benefits

- Simple, reliable, and easy to maintain
- Heavy duty construction

Function

- With doors open on both ends of a row of filters, the new filters are pushed in from one side while the spent filters come out the other side

Options

Nominal capacity

Nominal capacities ranging from 2,000cfm to 32,000cfm are available. Larger sizes are available upon request.

Filter type

The filters used are metal and washable. They have a nominal capacity of 2,000cfm each and have a nominal size of 24.00in x 24.00in x 2.00in.

Flange bolt patterns

The flange bolt patterns follow our standard. Different patterns are available upon request.

Materials

A variety of materials are offered to suit different applications.

Primary material

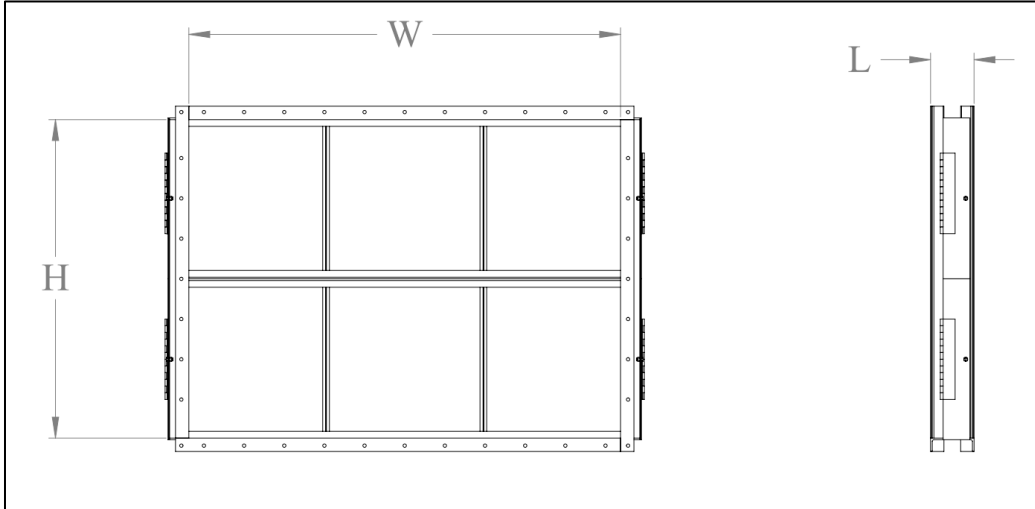
- 304 stainless steel
- 316 stainless steel
- Corten steel
- Carbon steel painted, moderate exposure

Filter type

- 316 stainless steel washable
- Carbon steel washable

Other materials not listed are available upon request.

Data and dimensions

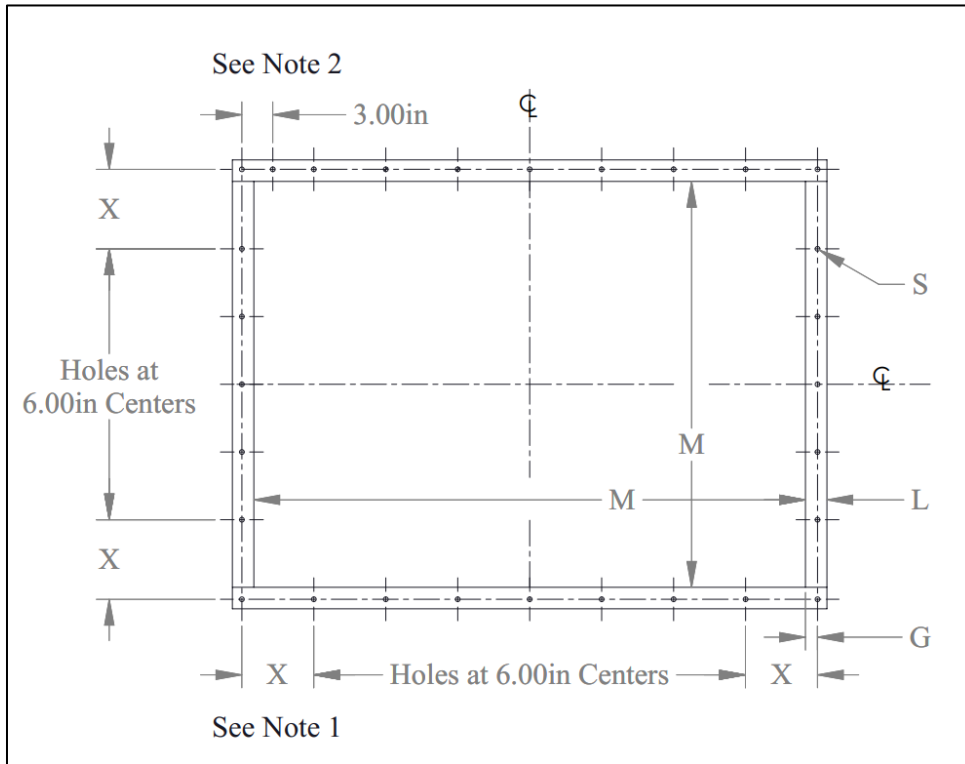


Item Number	Total Number of Filters	Nominal Capacity	Nominal Pressure Rating	"H" Inside Flange Height	"W" Inside Flange Width	"L" Length
	quantity	cfm	inWC	inches	inches	inches
FH-02-2000	1	2000	15	23.50	18.00	5.50
FH-02-2000	1	2000	30	23.50	18.00	5.50
FH-02-2000	1	2000	50	23.50	18.00	5.50
FH-02-4000	2	4000	15	23.50	42.00	6.50
FH-02-4000	2	4000	30	23.50	42.00	6.50
FH-02-4000	2	4000	50	23.50	42.00	6.50
FH-02-6000	3	6000	15	23.50	66.00	7.50
FH-02-6000	3	6000	30	23.50	66.00	7.50
FH-02-6000	3	6000	50	23.50	66.00	7.50
FH-02-8000	4	8000	15	47.50	42.00	7.50
FH-02-8000	4	8000	30	47.50	42.00	7.50
FH-02-8000	4	8000	50	47.50	42.00	7.50
FH-02-12000	6	12000	15	47.50	66.00	7.50
FH-02-12000	6	12000	30	47.50	66.00	7.50
FH-02-12000	6	12000	50	47.50	66.00	7.50
FH-02-16000	8	16000	15	47.50	90.00	8.50
FH-02-16000	8	16000	30	47.50	90.00	8.50
FH-02-16000	8	16000	50	47.50	90.00	8.50
FH-02-20000	10	20000	15	47.50	116.00	9.50
FH-02-20000	10	20000	30	47.50	116.00	9.50
FH-02-20000	10	20000	50	47.50	116.00	9.50
FH-02-24000	12	24000	15	71.50	90.00	8.50
FH-02-24000	12	24000	30	71.50	90.00	8.50
FH-02-24000	12	24000	50	71.50	90.00	8.50
FH-02-30000	15	30000	15	71.50	116.00	9.50
FH-02-30000	15	30000	30	71.50	116.00	9.50
FH-02-30000	15	30000	50	71.50	116.00	9.50
FH-02-32000	16	32000	15	95.50	90.00	8.50
FH-02-32000	16	32000	30	95.50	90.00	8.50
FH-02-32000	16	32000	50	95.50	90.00	8.50

Notes

1. 3D model files and general arrangement drawings with installation details available upon order.

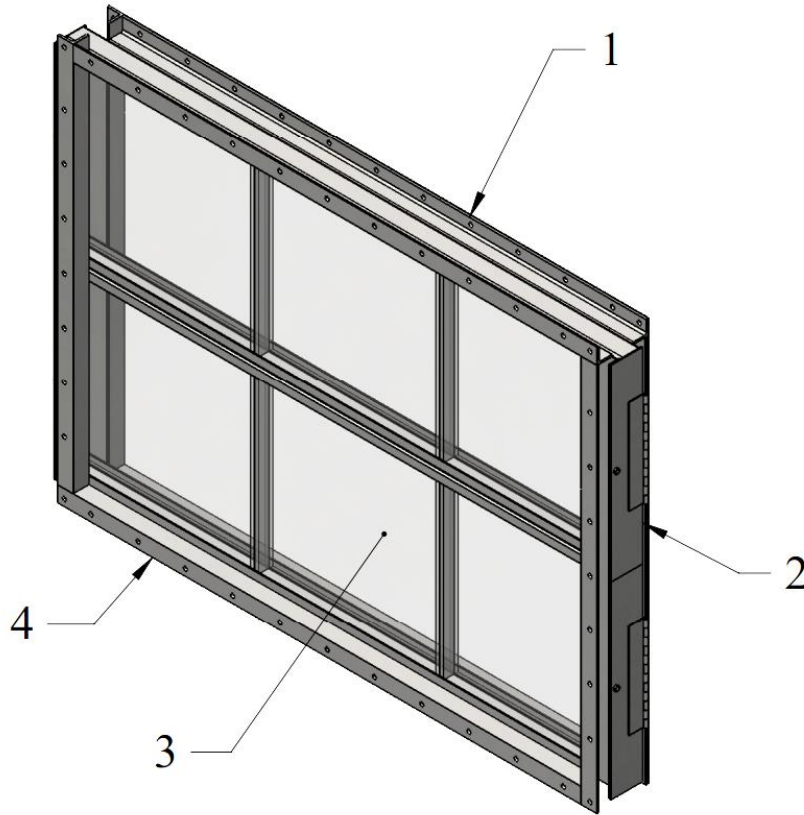
Standard rectangular flange details



"M" Largest Dimension Width or Height		"L" Flange Leg	"G" Gauge	"S" Hole Diameter	Bolt Size
M _{LOWER}	M _{UPPER}				
inches	inches	inches	inches	inches	inches
0	31.00	1.50	0.875	0.500	3/8
31.01	39.00	2.00	1.125	0.500	3/8
39.01	78.00	2.50	1.375	0.625	1/2
78.01	101.00	3.00	1.750	0.625	1/2
101.01	120.00	4.00	2.250	0.625	1/2

Notes

1. "X" is minimum 2.50in and maximum 8.50in.
2. If "X" is greater than 6.00in, add an extra hole 3.00in from corner hole.
3. Holes always land on centerlines and corners.



Parts list

Number	Quantity	Description
1	Varies	Vertical channel
2	1	Housing
3	Varies	Support leg
4	Varies	Filter
5	1	Outlet with expanded metal screen

Notes

1. All hardware, including filters, provided. Unit is assembled when delivered.

How to order

To fully specify the FH-02 Slide In Filter Housing, make a selection from the code boxes below.

Example: FH-02-16000-2-1-S, shown below, is a slide in filter housing with a 16,000 cfm nominal capacity, 316 stainless steel as the primary material, 316 stainless steel washable filters, and our standard bolt pattern.

1	2	3	4	5	6
FH	02	16000	2	1	S
Specifications					
Please provide a drawing for our approval of the specified slide in filter housing.					

1	Equipment type				
FH	Filter Housing				
2	Equipment sub-type				
02	Slide In Filter Housing				
3	Capacity				
2000	Nominal 2,000cfm		20000	Nominal 20,000cfm	
4000	Nominal 4,000cfm		24000	Nominal 24,000cfm	
6000	Nominal 6,000cfm		30000	Nominal 30,000cfm	
8000	Nominal 8,000cfm		32000	Nominal 32,000cfm	
12000	Nominal 12,000cfm		C	Customer Specified Size	
16000	Nominal 16,000cfm				
4	Primary material				
1	304 Stainless Steel		4	Painted Carbon Steel, Moderate Exposure	
2	316 Stainless Steel		C	Customer Specified Material	
3	Corten Steel				
5	Filter type				
1	316 stainless steel washable 24.00in x 24.00in x 2.00in		C	Customer Specified Filter Type	
2	Aluminum washable 24.00in x 24.00in x 2.00in				
6	Flange bolt pattern				
S	Standard		C	Customer Specified Flange Bolt Pattern	

Many types of customizations are available upon request.

Note: There are various factors which should be considered when selecting a filter housing for a specific application. Some of these factors are outside of the scope of this data sheet. If you have any questions regarding the application, compatibility, or use of this filter housing, contact VentilationComponents.com for more information.

Contact@VentilationComponents.com