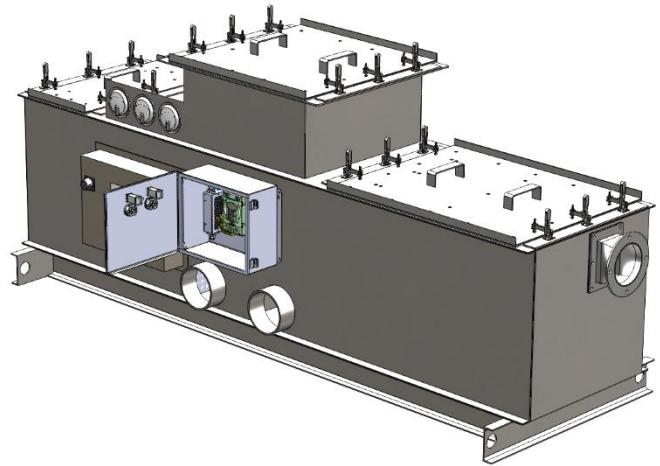


# Standard Industrial Chemical Filtration Unit



VentilationComponents.com's chemical filtration units are durable and cost effective.

## Application

- Neutralizes corrosive gases or mist for the air intake of an electrical room pressurization system
- Various sizes built to service airflows ranging from 300cfm to 1,200cfm available, with larger sizes available upon request

## Features

- Flanged inlet or intake hood and flanged outlet connection
- Holds bag filter, duct heater, chemical filtration media, pre filter, HEPA filter, and variable drive fan
- Filter doors with gaskets, removable panels, and toggle clamps
- Two chemical media beds for primary and secondary chemical media to suit contaminant type

- Replaceable chemical media is vacuumed out when replaced and is available in bulk containers or in permeable manually removable bags
- Stainless steel housing with filter gauges, a fuse block, an enclosure panel, and a breakthrough indicator

## Benefits

- Simple, reliable, and easy to maintain
- Heavy duty construction

## Function

- Air is drawn through the unit and passes through the bag filters and duct heater
- Chemical filtration media neutralize corrosive gases
- After filters remove particulate that may get carried over from the chemical media
- Pressure gauges indicate the overall condition of the filters
- A disposable break through indicator shows when media replacement is necessary

## Options

### Nominal capacity

Nominal capacities ranging from 300cfm to 1,200cfm are available. Larger sizes are available upon request.

### Flange bolt patterns

The flange bolt pattern follows our standard. Different patterns are available upon request.

### Inlet type

The inlet is available flanged or as an intake hood with bird screen.

### Materials

A variety of materials are offered to suit different applications.

#### Primary material

- 316 stainless steel

#### Filter types

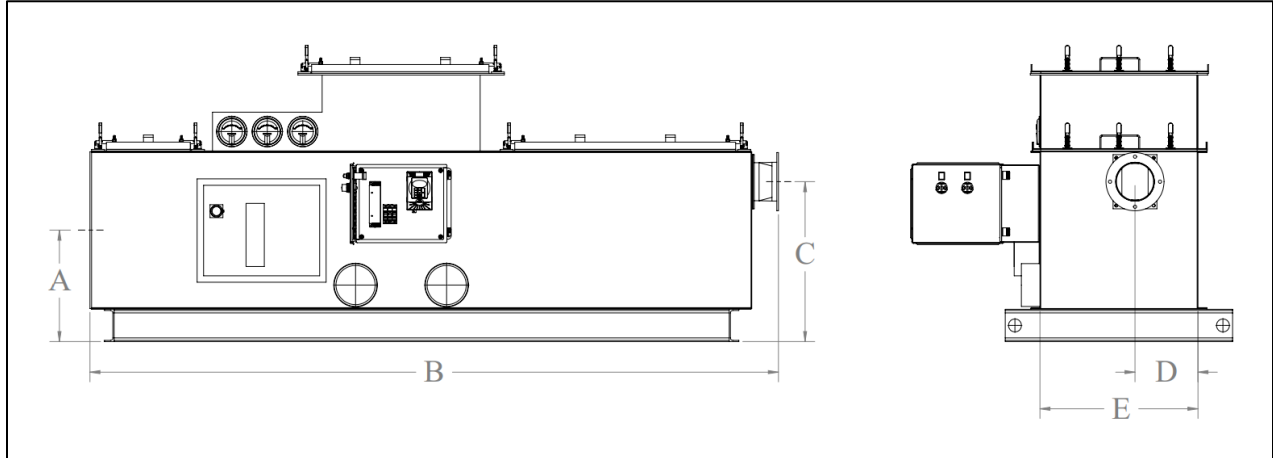
- Dependent upon application

#### Chemical media types

- Dependent upon application

Other materials not listed are available upon request.

## Data and dimensions



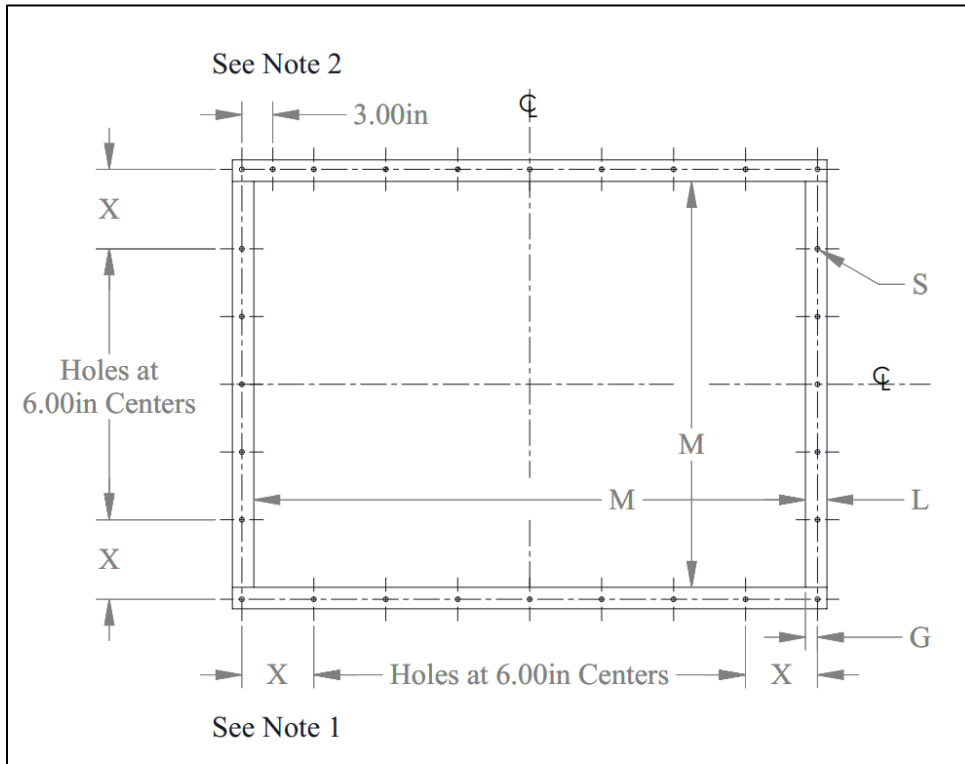
Item Number	Nominal Capacity	"A" Inlet Height	"B" Length	"C" Outlet Height	"D" Inlet and Outlet	"E" Outlet Height	"F"
	cfm	inches	inches	inches	inches	inches	inches
FH-03-300	300	15.00	87.75	21.00	4.00	9.75	24.25
FH-03-400	400	15.50	94.50	22.00	4.50	9.75	24.25
FH-03-500	500	16.00	97.75	23.25	5.00	9.75	24.25
FH-03-600	600	16.00	101.50	24.00	5.50	9.75	24.25

Item Number	Nominal Capacity	"A" Inlet Height	"B" Length	"C" Outlet Height	"D" Inlet and Outlet	"E" Outlet Height	"F"
	cfm	inches	inches	inches	inches	inches	inches
FH-03-700	700	17.00	106.75	24.50	6.00	9.75	24.25
FH-03-800	800	17.50	120.50	26.00	6.50	7.00	24.25
FH-03-900	900	18.00	128.75	30.25	7.00	7.00	24.25
FH-03-1000	1000	18.50	135.00	31.25	7.25	7.00	30.25
FH-03-1100	1100	19.25	142.50	35.00	7.50	6.50	30.25
FH-03-1200	1200	20.00	148.00	37.75	8.00	6.50	30.25
FH-03-1300	1300	21.00	151.50	40.00	8.25	6.50	30.25

Notes

1. 3D model files and general arrangement drawings with installation details available upon order.

### Standard rectangular flange details

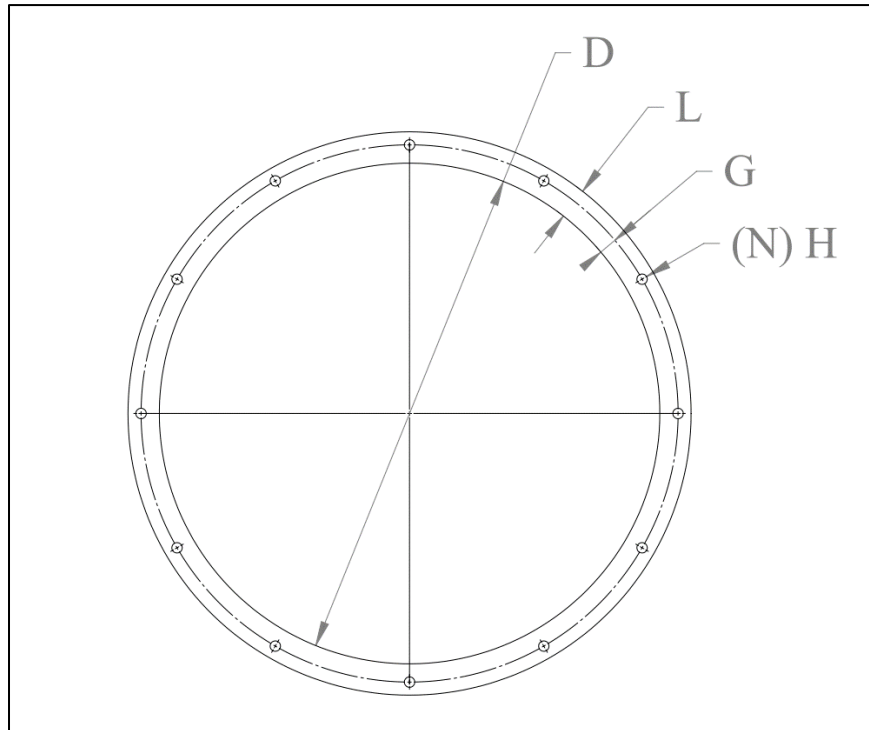


"M" Largest Dimension Width or Height		"L" Flange Leg	"G" Gauge	"S" Hole Diameter	Bolt Size
M <sub>LOWER</sub>	M <sub>UPPER</sub>				
inches	inches	inches	inches	inches	inches
0	31.00	1.50	0.875	0.500	3/8
31.01	39.00	2.00	1.125	0.500	3/8
39.01	78.00	2.50	1.375	0.625	1/2
78.01	101.00	3.00	1.750	0.625	1/2
101.01	120.00	4.00	2.250	0.625	1/2

Notes

1. "X" is minimum 2.50in and maximum 8.50in.
2. If "X" is greater than 6.00in, add an extra hole 3.00in from corner hole.
3. Holes always land on centerlines and corners.

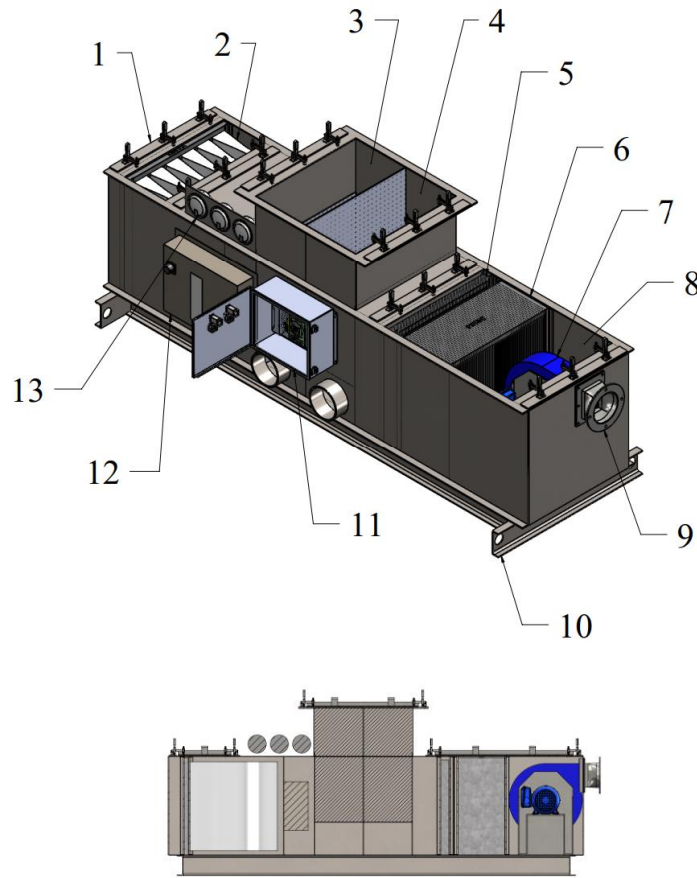
### Standard round flange details



"D" Nominal Size		"L" Flange Leg	"G" Gauge	"N" Number of Holes	"H" Hole Diameter	Bolt Size
D <sub>LOWER</sub> inches	D <sub>UPPER</sub> inches					
0	8.00	1.50	0.875	4	0.500	3/8
8.01	16.00	1.50	0.875	8	0.500	3/8
16.01	24.00	1.50	0.875	12	0.500	3/8
24.01	31.00	1.50	0.875	16	0.500	3/8
31.01	39.00	2.00	1.125	20	0.500	3/8
39.01	46.00	2.50	1.375	24	0.625	1/2
46.01	54.00	2.50	1.375	28	0.625	1/2
54.01	62.00	2.50	1.375	32	0.625	1/2
62.01	70.00	2.50	1.375	36	0.625	1/2
70.01	78.00	2.50	1.375	40	0.625	1/2
78.01	86.00	3.00	1.750	44	0.625	1/2
86.01	94.00	3.00	1.750	48	0.625	1/2
94.01	101.00	3.00	1.750	52	0.625	1/2
101.01	108.00	4.00	2.250	56	0.625	1/2
108.01	120.00	4.00	2.250	60	0.625	1/2

Notes

1. Holes always land on centerlines.



### Parts list

Number	Quantity	Description
1	1	Inlet
2	1	Bag filter
3	1	Media tank #1
4	1	Media tank #2
5	1	Pre filter
6	1	HEPA Filter
7	1	Fan with variable drive
8	1	Breakthrough indicator
9		Outlet
10	1	Housing with skid and lifting lugs
11	1	Enclosure panel
12	1	Duct heater
13	3	Pressure gauge

Notes

1. All hardware, including filters, provided. Unit is assembled when delivered.

## How to order

To fully specify the FH-03 Chemical Filtration Unit, make a selection from the code boxes below.

**Example:** FH-03-700-1-C-C-1-S, shown below, is a chemical filtration unit with a 700 cfm nominal capacity, 316 stainless steel as the primary material, a flanged inlet, and our standard bolt pattern. The customer has provided a document that details the application for the filters and chemical media to suit.

1	2	3	4	5	6	7	8
FH	03	700	1	C	C	1	S
Specifications							
Please provide a drawing for our approval of a chemical filtration unit, as specified, and please incorporate filters and chemical media that suit the application outlined in the attached document.							

1	Equipment type						
FH	Filter Housing						
2	Equipment sub-type						
03	Chemical Filtration Filter Housing						
3	Capacity						
300	Nominal 300cfm			900	Nominal 900cfm		
400	Nominal 400cfm			1000	Nominal 1,000cfm		
500	Nominal 500cfm			1100	Nominal 1,100cfm		
600	Nominal 600cfm			1200	Nominal 1,200cfm		
700	Nominal 700cfm			1300	Nominal 1,300cfm		
800	Nominal 800cfm			C	Customer Specified Size		
4	Primary material						
1	316 Stainless Steel			C	Customer Specified Material		
5	Filter types						
C	Application to be Specified by Customer						
6	Chemical media types						
C	Application to be Specified by Customer						
7	Inlet type						
1	Flanged			2	Intake Hood with Bird Screen		
8	Flange bolt pattern						
S	Standard			C	Customer Specified Flange Bolt Pattern		

Many types of customizations are available upon request.



**Note:** There are various factors which should be considered when selecting a chemical filtration unit for a specific application. Some of these factors are outside of the scope of this data sheet. If you have any questions regarding the application, compatibility, or use of this chemical filtration unit, contact [VentilationComponents.com](http://VentilationComponents.com) for more information.



Contact@VentilationComponents.com