

Standard Industrial Round View Port

VentilationComponents.com's round view ports are durable and cost effective.



Application

- Suitable for mounting on ducting or equipment for various types of ventilation systems
- Various sizes available, built to suit flat or round ducts and vessels
- Pressure ratings ranging from -15inWC to -50inWC, with higher pressure ratings up to -100inWC available upon request

Features

- Welded to duct or vessel
- Heavy duty gasket, toggle clamps, viewport, and hinge
- Available in a variety of materials

Benefits

- The gasket is loaded evenly along the perimeter of the door to achieve a water tight seal
- Simple, reliable, and easy to maintain
- Heavy duty construction

Options

Size

Standard nominal sizes of 18.00in and 24.00in are available and are built to suit flat or round duct and vessels. Larger sizes and custom sizes are available upon request.

Pressure rating

Three different pressure ratings are offered: 15inWC, 30inWC, and 50inWC. Custom pressure ratings up to 100inWC are available upon request.

Materials

A variety of materials are offered to suit different applications.

Primary material

- 304 stainless steel
- 316 stainless steel
- Corten steel
- Carbon steel painted, moderate exposure

View port material

- Clear Lexan
- Clear ceramic

Gasket material

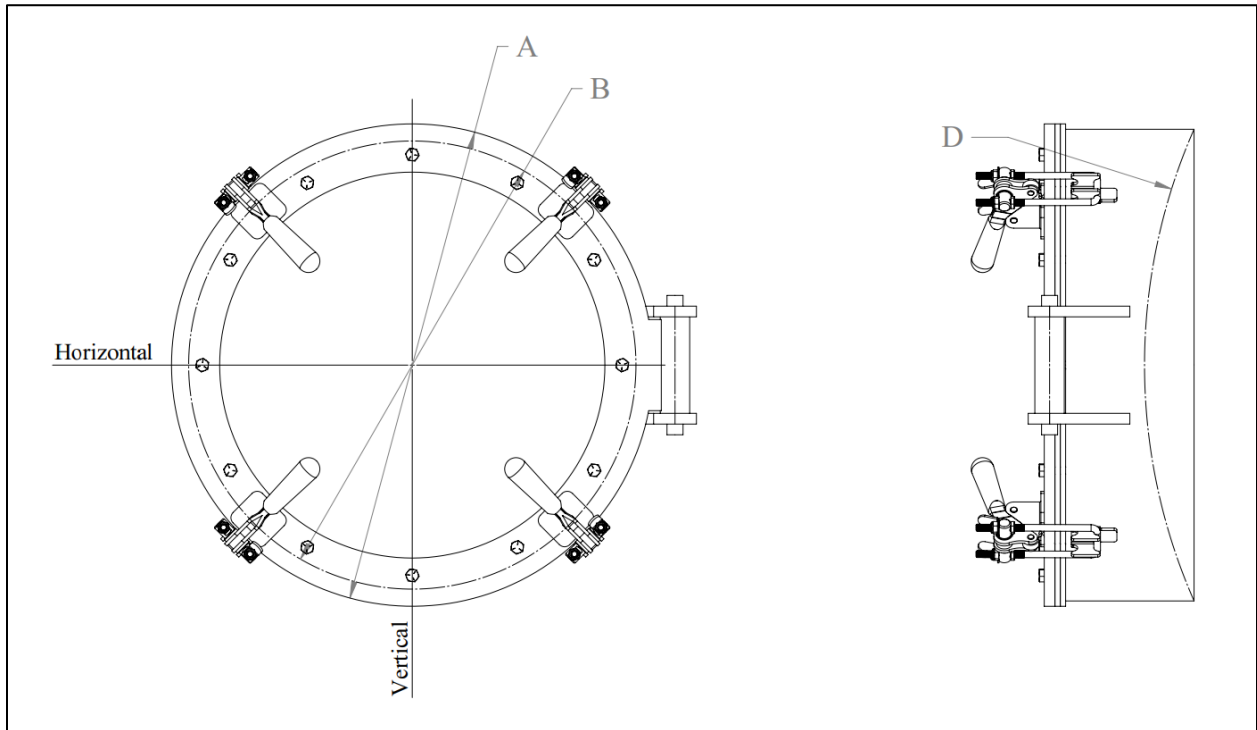
- EPDM
- Silicone

Hardware material

- 304 stainless steel
- 316 stainless steel
- Type 18-8 stainless steel
- Zinc chromate grade 5
- Carbon steel grade 5

Other materials not listed are available upon request.

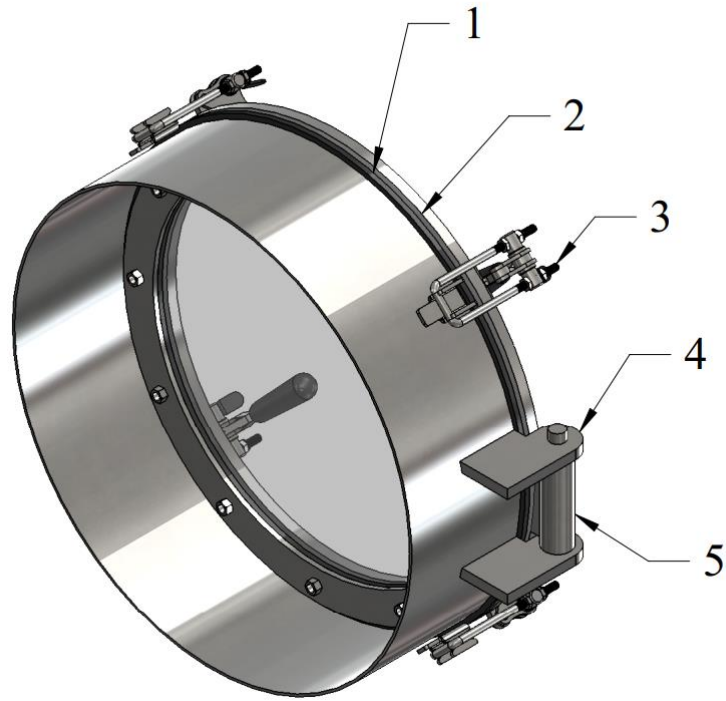
Data and dimensions



Item Number	"D"	"A"	"B"	Nominal Pressure Rating	Total Weight
	Horizontal or Vertical Duct or Vessel Size	Nominal Size	Duct or Vessel Opening Size (Flat)		
	inches	inches	inches	inWC	lb _m
IP-04-18-F-15	0 (Flat)	18.00	17.75	15	51
IP-04-18-C-30	0 (Flat)	18.00	17.63	30	62
IP-04-18-F-50	0 (Flat)	18.00	17.50	50	86
IP-04-18-C-15	Customer Specified	18.00	17.75	15	51
IP-04-18-C-30	Customer Specified	18.00	17.63	30	62
IP-04-18-C-50	Customer Specified	18.00	17.50	50	86
IP-04-24-F-15	0 (Flat)	24.00	23.75	15	78
IP-04-24-F-30	0 (Flat)	24.00	23.63	30	93
IP-04-24-F-50	0 (Flat)	24.00	23.50	50	117
IP-04-24-C-15	Customer Specified	24.00	23.75	15	78
IP-04-24-C-30	Customer Specified	24.00	23.63	30	93
IP-04-24-C-50	Customer Specified	24.00	23.50	50	117

Notes

1. 3D model files and general arrangement drawings with installation details available upon order.
2. Duct or vessel diameter size must be minimum 2.00in larger than nominal size of port.
3. Off center to duct or vessel mounting options available upon request.



Parts list

Number	Quantity	Description
1	1	Gasket
2	1	Viewport
3	4	Toggle clamp
4	1	Main port weldment
5	1	Main port door weldment

Notes

1. All hardware provided, unit is assembled when delivered.
2. Safety rod available upon request.

How to order

To fully specify the IP-04 Round View Port, make a selection from the code boxes below.

Example: IP-04-18-CH-2-1-E-3-30, shown below, is a round view port of nominal 18in size and a pressure rating of 30inWC with a clear Lexan viewport, EPDM gasket, and type 18-8 stainless steel hardware. The customer has specified that the port be made to suit a 32.00in diameter horizontal duct.

1	2	3	4	5	6	7	8	9
IP	04	18	CH	2	1	E	3	30
Specifications								
Please provide a drawing for our approval of the specified port that suits a 32.00in horizontal duct.								

1	Equipment type		
IP	Inspection Port		
2	Equipment sub-type		
04	Round View Port		
3	Nominal size		
18	Nominal 18.00in [457.2mm]	C	Customer Specified Size
24	Nominal 24.00in [609.6mm]		
4	Duct or vessel size		
FL	Flat	CV	Customer Specified Diameter Vertical
CH	Custom Specified Diameter Horizontal	CC	Customer Specified Diameter and Angular Orientation
5	Primary material		
1	304 Stainless Steel	4	Painted Carbon Steel, Moderate Exposure
2	316 Stainless Steel	C	Customer Specified Material
3	Corten Steel		
6	View port material		
1	Clear Lexan	C	Customer Specified Material
2	Clear Ceramic		
7	Gasket material		
E	EPDM	C	Customer Specified Material
S	Silicone		
8	Hardware material		
1	304 Stainless Steel	4	Zinc Chromate Grade 5
2	316 Stainless Steel	5	Carbon Steel Grade 5
3	Type 18-8 Stainless Steel	C	Customer Specified Material
9	Pressure rating		
15	15inWC, Up to 4500fpm	50	50inWC, Up to 6000fpm
30	30inWC, Up to 5000fpm	C	Customer Specified Pressure Rating

Many types of customizations are available upon request.

Note: There are various factors which should be considered when selecting an inspection port for a specific application. Some of these factors are outside of the scope of this data sheet. If you have any questions regarding the application, compatibility, or use of this inspection port, contact VentilationComponents.com for more information.

Contact@VentilationComponents.com