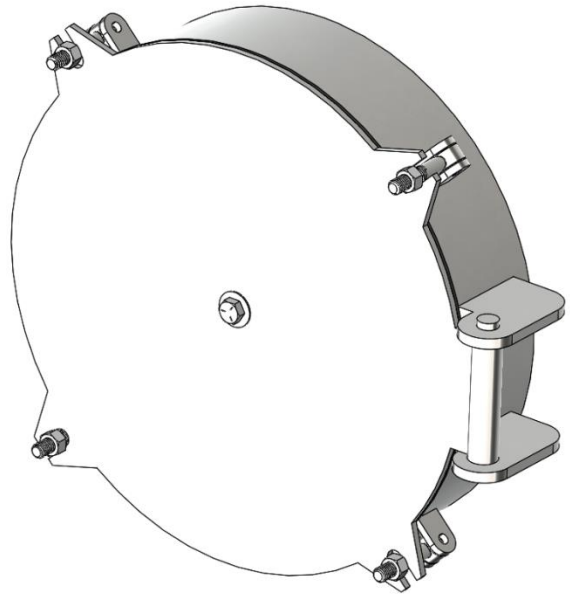


# Standard Industrial Bolted Inspection Port

VentilationComponents.com's bolted inspection ports are durable and cost effective.



## Application

- Suitable for mounting on ducting or equipment for various types of ventilation systems
- Various sizes available, built to suit flat or round ducts and vessels
- Pressure ratings ranging from 15inWC to 50inWC, with higher pressure ratings up to 100inWC available upon request

## Features

- Welded to duct or vessel
- Heavy duty gasket, swing bolts, and hinge
- Available in a variety of materials

## Benefits

- The gasket is loaded evenly along the perimeter of the door to achieve a water tight seal
- Can be used in high temperature applications
- Simple, reliable, and easy to maintain
- Heavy duty construction

## Options

### Size

Standard nominal sizes of 12in, 18in, and 24in are available and are built to suit flat or round duct and vessels. Larger sizes and custom sizes are available upon request.

### Pressure rating

Three different pressure ratings are offered: 15inWC, 30inWC, and 50inWC. Custom pressure ratings up to 100inWC are available upon request.

### Materials

A variety of materials are offered to suit different applications.

#### Primary material

- 304 stainless steel
- 316 stainless steel
- Corten steel
- Carbon steel painted, moderate exposure

#### Gasket material

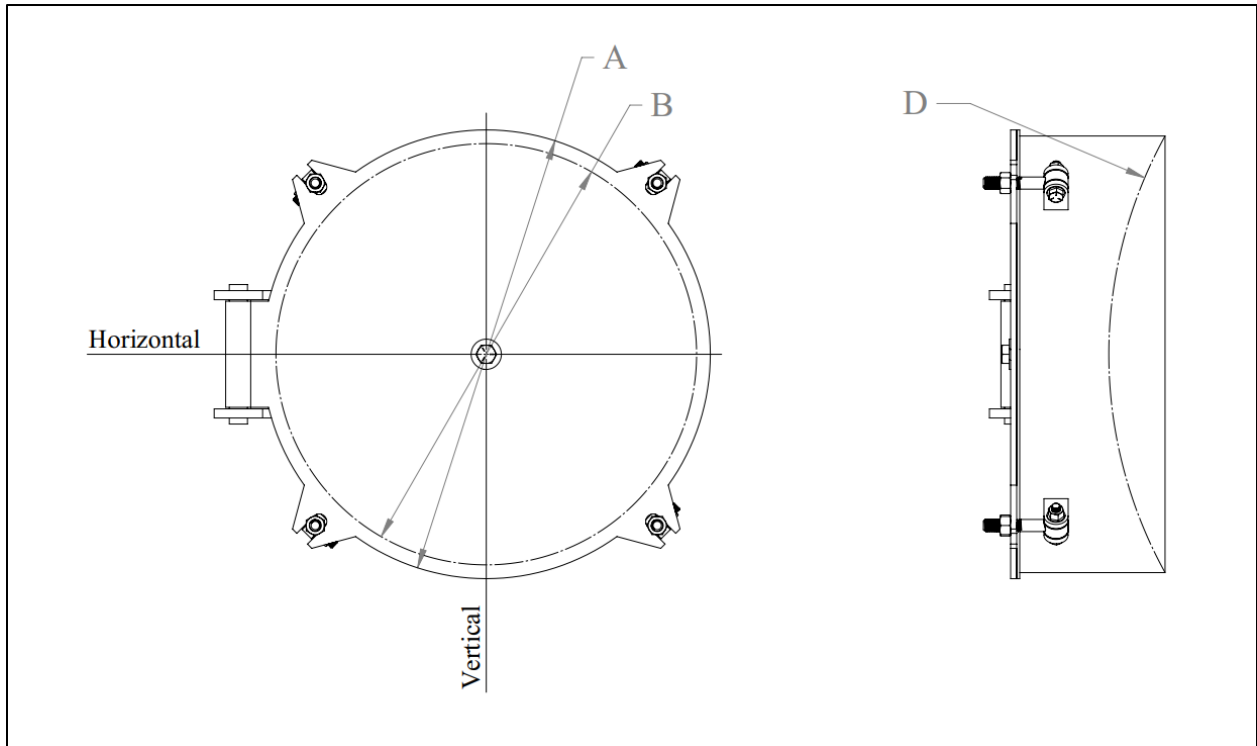
- EPDM
- Silicone

#### Hardware material

- 304 stainless steel
- 316 stainless steel
- Type 18-8 stainless steel
- Zinc chromate grade 5
- Carbon steel grade 5

Other materials not listed are available upon request.

### Data and dimensions

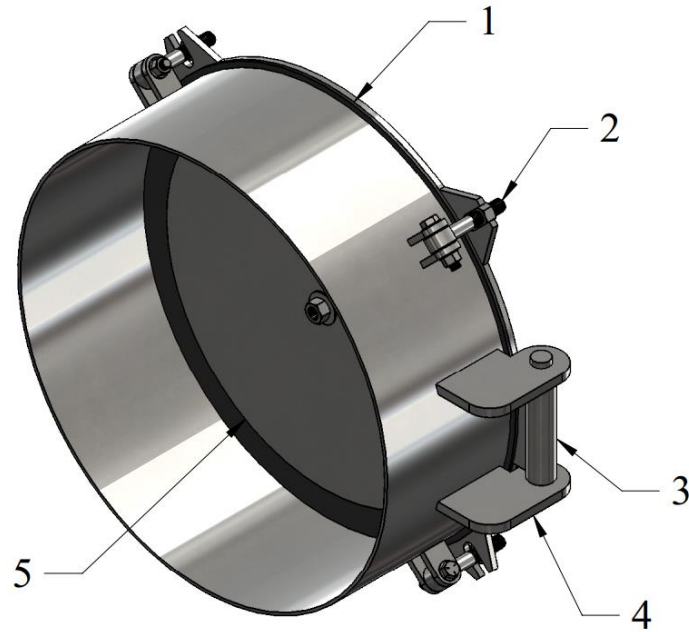


Item Number	"D"	"A"	"B"	Nominal Pressure Rating	Total Weight
	Horizontal or Vertical Duct or Vessel Size	Nominal Size	Duct or Vessel Opening Size (Flat)		
	inches	inches	inches	inWC	lb <sub>m</sub>
IP-05-12-F-15	0 (Flat)	12.00	11.75	15	26
IP-05-12-F-30	0 (Flat)	12.00	11.63	30	33
IP-05-12-F-50	0 (Flat)	12.00	11.50	50	49
IP-05-12-C-15	Customer Specified	12.00	11.75	15	26
IP-05-12-C-30	Customer Specified	12.00	11.63	30	33
IP-05-12-C-50	Customer Specified	12.00	11.50	50	49
IP-05-18-F-15	0 (Flat)	18.00	17.75	15	38
IP-05-18-F-30	0 (Flat)	18.00	17.63	30	45
IP-05-18-F-50	0 (Flat)	18.00	17.50	50	60
IP-05-18-C-15	Customer Specified	18.00	17.75	15	38
IP-05-18-C-30	Customer Specified	18.00	17.63	30	45
IP-05-18-C-50	Customer Specified	18.00	17.50	50	60

Item Number	"D" Horizontal or Vertical Duct or Vessel Size	"A" Nominal Size	"B" Duct or Vessel Opening Size (Flat)	Nominal Pressure Rating	Total Weight
	inches	inches	inches	inWC	lb <sub>m</sub>
IP-03-12-17-50	0 (Flat)	24.00	23.75	15	52
IP-03-18-0-15	0 (Flat)	24.00	23.63	30	68
IP-03-18-0-30	0 (Flat)	24.00	23.50	50	91
IP-03-18-0-50	Customer Specified	24.00	23.75	15	52
IP-03-18-18-15	Customer Specified	24.00	23.63	30	68
IP-03-18-18-30	Customer Specified	24.00	23.50	50	91

Notes

1. 3D model files and general arrangement drawings with installation details available upon order.
2. Duct or vessel diameter size must be minimum 2.00in larger than nominal size of port.
3. Off center to duct or vessel mounting options available upon request.



### Parts list

Number	Quantity	Description
1	1	Gasket
2	1	View port
3	4	Toggle clamp
4	1	Main port weldment
5	1	Main port door weldment

Notes

1. All hardware provided, unit is assembled when delivered.
2. Safety rod available upon request.

## How to order

To fully specify the IP-05 Bolted Inspection Port, make a selection from the code boxes below.

**Example:** IP-05-18-CH-2-E-3-30, shown below, is a bolted inspection port of nominal 18in size with 316 stainless steel as the primary material, an EPDM gasket, type 18-8 stainless steel hardware, and a pressure rating of 30inWC. The customer has specified that the port be made to suit a 32.00in diameter horizontal duct.

1	2	3	4	5	6	7	8
IP	05	18	CH	2	E	3	30
Specifications							
Please provide a drawing for our approval of the specified port that suits a 32.00in horizontal duct.							

1	Equipment type						
IP	Inspection Port						
2	Equipment sub-type						
05	Bolted Inspection Port						
3	Nominal size						
12	Nominal 12.00in [304.8mm]			24	Nominal 24.00in [609.6mm]		
18	Nominal 18.00in [457.2mm]			C	Customer Specified Size		
4	Duct or vessel size						
FL	Flat			CV	Customer Specified Diameter Vertical		
CH	Custom Specified Diameter Horizontal			CC	Customer Specified Diameter and Angular Orientation		
5	Primary material						
1	304 Stainless Steel			4	Painted Carbon Steel, Moderate Exposure		
2	316 Stainless Steel			C	Customer Specified Material		
3	Corten Steel						
6	Gasket material						
E	EPDM			R	Fiberglass Slotted Rope		
S	Silicone			C	Customer Specified Material		
7	Hardware material						
1	304 Stainless Steel			4	Zinc Chromate Grade 5		
2	316 Stainless Steel			5	Carbon Steel Grade 5		
3	Type 18-8 Stainless Steel			C	Customer Specified Material		
8	Pressure rating						
15	15inWC, Up to 4500fpm			50	50inWC, Up to 6000fpm		
30	30inWC, Up to 5000fpm			C	Customer Specified Pressure Rating		

Many types of customizations are available upon request.

**Note:** There are various factors which should be considered when selecting an inspection port for a specific application. Some of these factors are outside of the scope of this data sheet. If you have any questions regarding the application, compatibility, or use of this inspection port, contact [VentilationComponents.com](http://VentilationComponents.com) for more information.





Contact@VentilationComponents.com