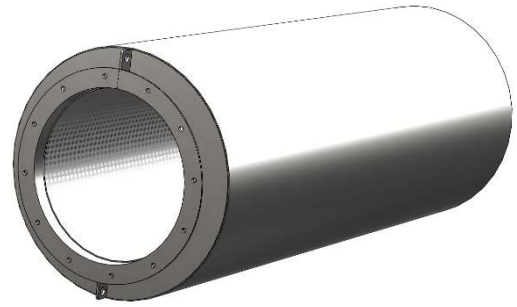


Standard Industrial Axial Absorptive Silencer



VentilationComponents.com's axial absorptive silencers are durable and cost effective.

Application

- Use for absorptive type sound attenuation
- Various sizes available, built to suit round ducts and vessels
- Pressure ratings ranging from 15inWC to 50inWC, with higher pressure ratings up to 100inWC available upon request

Features

- Flanged inlet and outlet connections
- Available in a variety of materials

Benefits

- Simple, reliable, and easy to maintain
- Heavy duty construction

Options

Size

Sizes ranging from 8.00in to 54.00in inside flange are available. Larger sizes are available upon request.

Pressure rating

Three different pressure ratings are offered: 15inWC, 30inWC, and 50inWC. Custom pressure ratings up to 100inWC are available upon request.

Flange bolt patterns

The flange bolt pattern follows our standard. Different patterns are available upon request.

Noise Reduction Amount

The amount of noise reduction to expect is application dependent and is provided during the ordering stage.

Materials

A variety of materials are offered to suit different applications.

Primary material

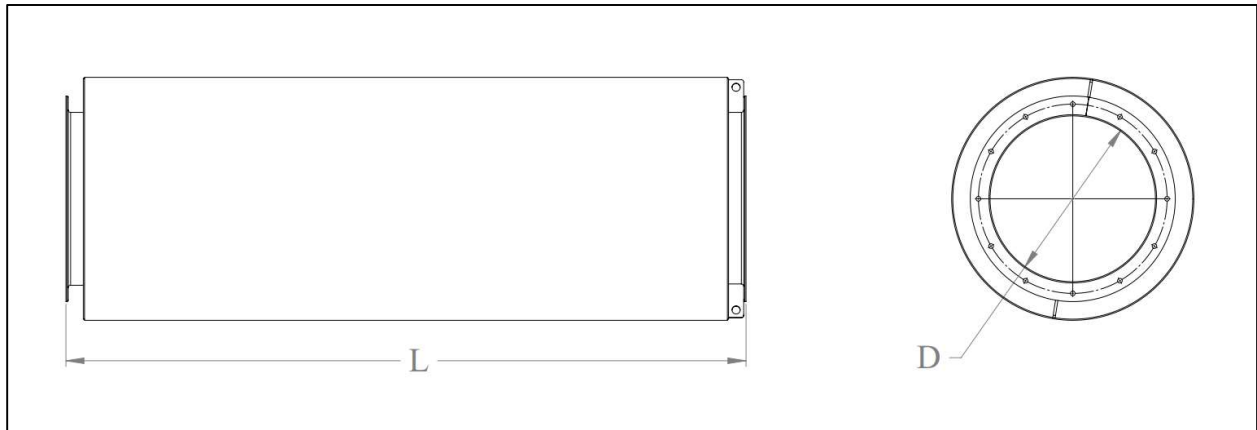
- 304 stainless steel
- 316 stainless steel
- Corten steel
- Carbon steel painted, moderate exposure

Sound attenuating media material

- 4lb mineral wool
- Closed cell polyurethane

Other materials not listed are available upon request.

Data and dimensions

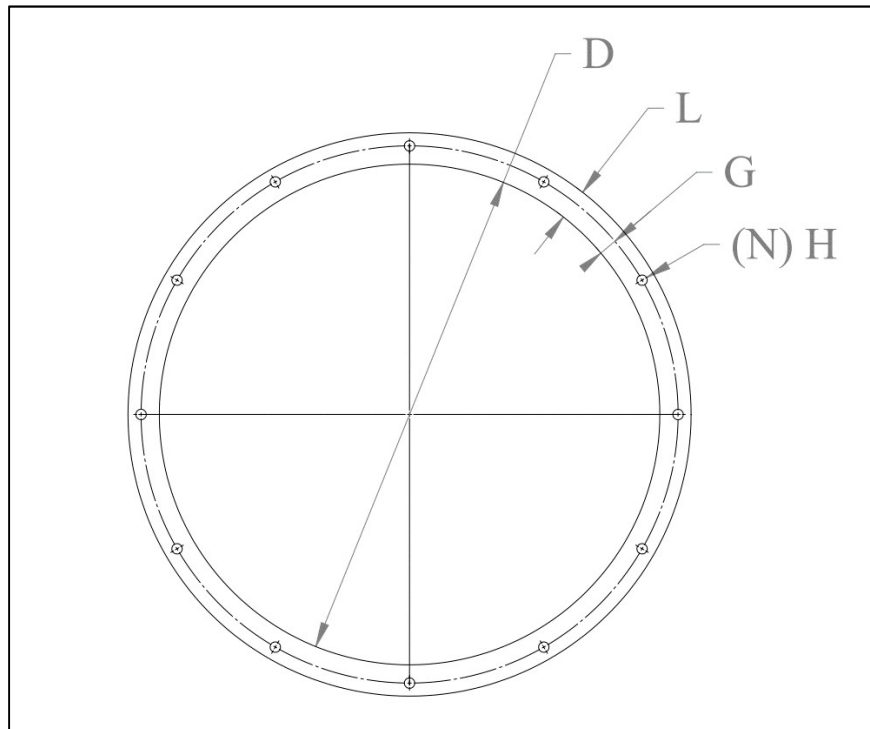


Item Number	"D" Nominal Size		Nominal Pressure Rating	"L" Length
	D _{LOWER}	D _{UPPER}		
	inches	inches		
SA-01-[8.00 to 16.00]-15	8.00	16.00	15	65.00
SA-01-[8.00 to 16.00]-30	8.00	16.00	30	65.00
SA-01-[8.00 to 16.00]-50	8.00	16.00	50	65.00
SA-01-[16.01 to 24.00]-15	16.01	24.00	15	97.00
SA-01-[16.01 to 24.00]-30	16.01	24.00	30	97.00
SA-01-[16.01 to 24.00]-50	16.01	24.00	50	97.00
SA-01-[24.01 to 31.00]-15	24.01	31.00	15	128.00
SA-01-[24.01 to 31.00]-30	24.01	31.00	30	128.00
SA-01-[24.01 to 31.00]-50	24.01	31.00	50	128.00
SA-01-[31.01 to 39.00]-15	31.01	39.00	15	145.00
SA-01-[31.01 to 39.00]-30	31.01	39.00	30	145.00
SA-01-[31.01 to 39.00]-50	31.01	39.00	50	145.00
SA-01-[39.01 to 46.00]-15	39.01	46.00	15	161.00
SA-01-[39.01 to 46.00]-30	39.01	46.00	30	161.00
SA-01-[39.01 to 46.00]-50	39.01	46.00	50	161.00
SA-01-[46.01 to 54.00]-15	46.01	54.00	15	177.00
SA-01-[46.01 to 54.00]-30	46.01	54.00	30	177.00
SA-01-[46.01 to 54.00]-50	46.01	54.00	50	177.00

Notes

1. 3D model files and general arrangement drawings with installation details available upon order.

Standard round flange details



"D" Nominal Size		"L" Flange Leg	"G" Gauge	"N" Number of Holes	"H" Hole Diameter	Bolt Size
D _{LOWER}	D _{UPPER}					
inches	inches	inches	inches	quantity	inches	inches
0	8.00	1.50	0.875	4	0.500	3/8
8.01	16.00	1.50	0.875	8	0.500	3/8
16.01	24.00	1.50	0.875	12	0.500	3/8
24.01	31.00	1.50	0.875	16	0.500	3/8
31.01	39.00	2.00	1.125	20	0.500	3/8
39.01	46.00	2.50	1.375	24	0.625	1/2
46.01	54.00	2.50	1.375	28	0.625	1/2
54.01	62.00	2.50	1.375	32	0.625	1/2
62.01	70.00	2.50	1.375	36	0.625	1/2
70.01	78.00	2.50	1.375	40	0.625	1/2
78.01	86.00	3.00	1.750	44	0.625	1/2
86.01	94.00	3.00	1.750	48	0.625	1/2
94.01	101.00	3.00	1.750	52	0.625	1/2
101.01	108.00	4.00	2.250	56	0.625	1/2
108.01	120.00	4.00	2.250	60	0.625	1/2

Notes

1. Holes always land on centerlines.



Parts list

Number	Quantity	Description
1	1	Inlet/outlet
2	1	Sound attenuating media housing and shell
3	1	Outlet/inlet
4	1	Perforated inner liner

Notes

1. All hardware provided. Unit is assembled when delivered.

How to order

To fully specify the SA-01 Axial Absorptive Silencer, make a selection from the code boxes below.

Example: SA-01-C-2-P-30-S shown below, is an axial absorptive silencer with 316 stainless steel as the primary material, closed cell polyurethane sound attenuating media, a 30inWC pressure rating, and our standard flange bolt patterns. The customer has specified that the silencer be 20.00in diameter.

1	2	3	4	5	6	7
SA	01	C	2	P	30	S
Specifications						
Please provide a drawing for our approval of a 20.00in diameter silencer, as specified.						

1	Equipment type		
SA	Sound Attenuator		
2	Equipment sub-type		
01	Axial Absorptive Silencer		
3	Nominal size		
C	Customer Specified Size		
4	Primary material		
1	304 Stainless Steel	4	Painted Carbon Steel, Moderate Exposure
2	316 Stainless Steel	C	Customer Specified Material
3	Corten Steel		
5	Sound attenuating media material		
M	4lb Mineral Wool	C	Customer Specified Material
P	Closed Cell Polyurethane		
6	Pressure rating		
15	15inWC, Up to 4500fpm	50	50inWC, Up to 6000fpm
30	30inWC, Up to 5000fpm	C	Customer Specified Pressure Rating
7	Flange bolt pattern		
S	Standard	C	Customer Specified Flange Bolt Pattern

Many types of customizations are available upon request.

Note: There are various factors which should be considered when selecting a sound attenuator for a specific application. Some of these factors are outside of the scope of this data sheet. If you have any questions regarding the application, compatibility, or use of this sound attenuator, contact VentilationComponents.com for more information.

Contact@VentilationComponents.com