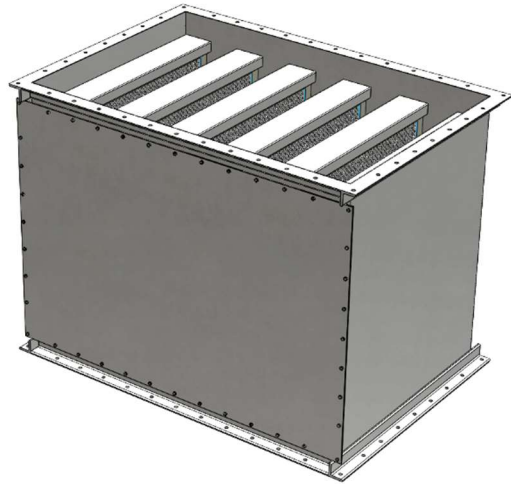


Standard Industrial Rectangular Absorptive Silencer



VentilationComponents.com's rectangular absorptive silencers are durable and cost effective.

Application

- Use for absorptive type sound attenuation
- Various sizes built to service airflows ranging from 10,000cfm to 102,000cfm available, with larger sizes available upon request
- Pressure ratings ranging from 15inWC to 50inWC, with higher pressure ratings up to 100inWC available upon request

Features

- Removable sound attenuating panels with handles at ends
- Bolted maintenance cover
- Flanged inlet and outlet connections
- Available in a variety of materials

Benefits

- Simple, reliable, and easy to maintain
- Heavy duty construction

Function

- The removable panels hold sound attenuating media between perforated plates
- The air flows between the sound attenuating panes
- A removable maintenance cover allows access for inspection

Options

Nominal capacity

Nominal capacities ranging from 10,000cfm to 102,000cfm are available. Larger sizes are available upon request.

Flange bolt patterns

The flange bolt pattern follows our standard. Different patterns are available upon request.

Noise Reduction Amount

The amount of noise reduction to expect is application dependent and is provided during the ordering stage.

Materials

A variety of materials are offered to suit different applications.

Primary material

- 304 stainless steel
- 316 stainless steel
- Corten steel
- Carbon steel painted, moderate exposure

Sound attenuating media material

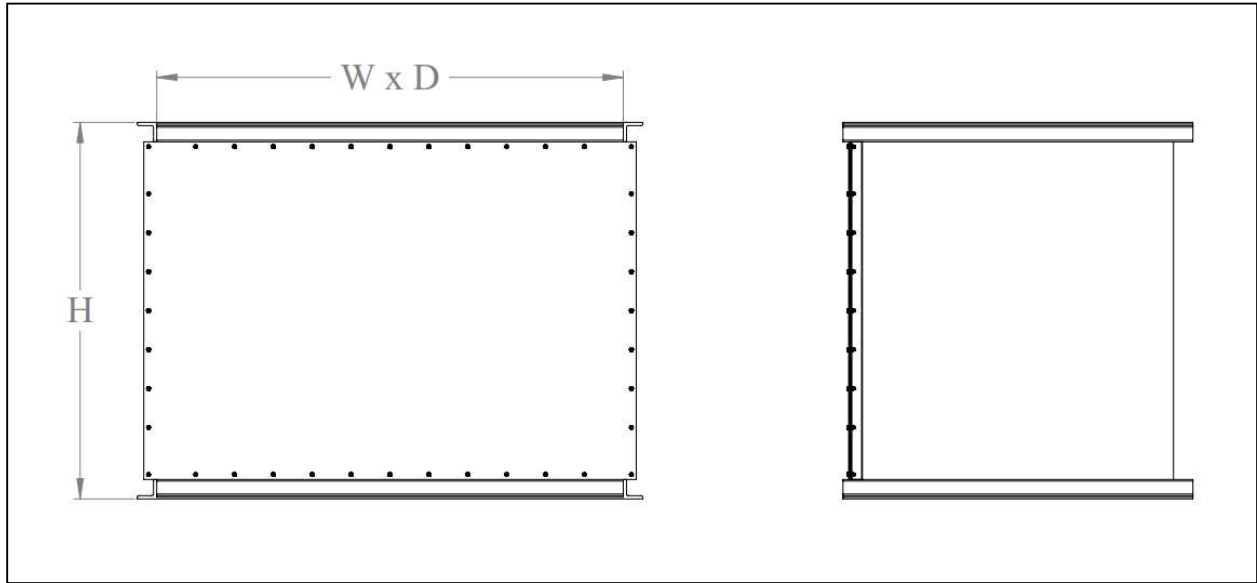
- 4lb mineral wool
- Closed cell polyurethane

Hardware material

- 304 stainless steel
- 316 stainless steel
- Type 18-8 stainless steel
- Zinc chromate grade 5
- Carbon steel grade 5

Other materials not listed are available upon request.

Data and dimensions



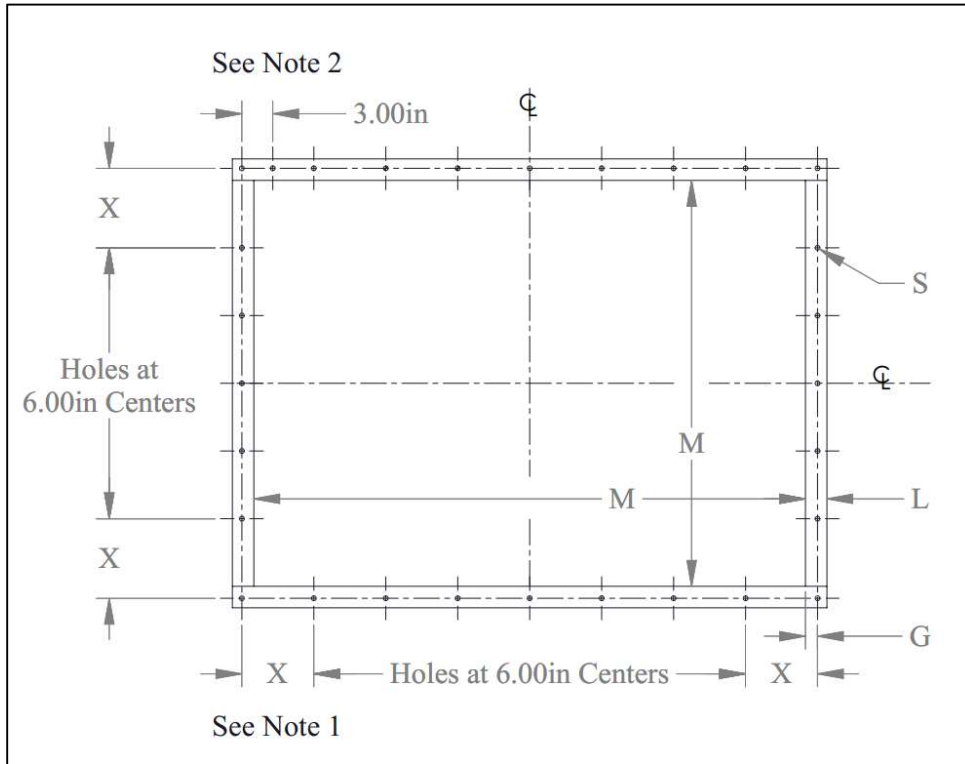
Item Number	Nominal Capacity	"W x D" Nominal Size	"H" Height	Total Number of Panels
	cfm	inches	inches	quantity
SA-02-10000-15	10,000	30.00 x 40.00	48.00	3
SA-02-10000-30	10,000	30.00 x 40.00	48.00	3
SA-02-10000-50	10,000	30.00 x 40.00	48.00	3
SA-02-14000-15	14,000	42.00 x 37.00	48.00	4
SA-02-14000-30	14,000	42.00 x 37.00	48.00	4
SA-02-14000-50	14,000	42.00 x 37.00	48.00	4
SA-02-18000-15	18,000	42.00 x 48.00	48.00	4
SA-02-18000-30	18,000	42.00 x 48.00	48.00	4
SA-02-18000-50	18,000	42.00 x 48.00	48.00	4
SA-02-22000-15	22,000	42.00 x 59.00	48.00	4
SA-02-22000-30	22,000	42.00 x 59.00	48.00	4
SA-02-22000-50	22,000	42.00 x 59.00	48.00	4
SA-02-26000-15	26,000	54.00 x 52.00	48.00	5
SA-02-26000-30	26,000	54.00 x 52.00	48.00	5
SA-02-26000-50	26,000	54.00 x 52.00	48.00	5
SA-02-30000-15	30,000	54.00 x 60.00	48.00	5
SA-02-30000-30	30,000	54.00 x 60.00	48.00	5
SA-02-30000-50	30,000	54.00 x 60.00	48.00	5
SA-02-34000-15	34,000	54.00 x 68.00	48.00	5
SA-02-34000-30	34,000	54.00 x 68.00	48.00	5
SA-02-34000-50	34,000	54.00 x 68.00	48.00	5
SA-02-38000-15	38,000	66.00 x 61.00	48.00	6
SA-02-38000-30	38,000	66.00 x 61.00	48.00	6
SA-02-38000-50	38,000	66.00 x 61.00	48.00	6

Item Number	Nominal Capacity	"W x D" Nominal Size	"H" Height	Total Number of Panels
	cfm	inches	inches	quantity
SA-02-42000-15	42,000	66.00 x 67.00	48.00	6
SA-02-42000-30	42,000	66.00 x 67.00	48.00	6
SA-02-42000-50	42,000	66.00 x 67.00	48.00	6
SA-02-46000-15	46,000	66.00 x 74.00	48.00	6
SA-02-46000-30	46,000	66.00 x 74.00	48.00	6
SA-02-46000-50	46,000	66.00 x 74.00	48.00	6
SA-02-50000-15	50,000	66.00 x 80.00	48.00	6
SA-02-50000-30	50,000	66.00 x 80.00	48.00	6
SA-02-50000-50	50,000	66.00 x 80.00	48.00	6
SA-02-54000-15	54,000	66.00 x 86.00	48.00	6
SA-02-54000-30	54,000	66.00 x 86.00	48.00	6
SA-02-54000-50	54,000	66.00 x 86.00	48.00	6
SA-02-58000-15	58,000	78.00 x 77.00	48.00	7
SA-02-58000-30	58,000	78.00 x 77.00	48.00	7
SA-02-58000-50	58,000	78.00 x 77.00	48.00	7
SA-02-62000-15	62,000	78.00 x 83.00	48.00	7
SA-02-62000-30	62,000	78.00 x 83.00	48.00	7
SA-02-62000-50	62,000	78.00 x 83.00	48.00	7
SA-02-66000-15	66,000	78.00 x 88.00	48.00	7
SA-02-66000-30	66,000	78.00 x 88.00	48.00	7
SA-02-66000-50	66,000	78.00 x 88.00	48.00	7
SA-02-70000-15	70,000	90.00 x 80.00	48.00	8
SA-02-70000-30	70,000	90.00 x 80.00	48.00	8
SA-02-70000-50	70,000	90.00 x 80.00	48.00	8
SA-02-74000-15	74,000	90.00 x 85.00	48.00	8
SA-02-74000-30	74,000	90.00 x 85.00	48.00	8
SA-02-74000-50	74,000	90.00 x 85.00	48.00	8
SA-02-78000-15	78,000	90.00 x 89.00	48.00	8
SA-02-78000-30	78,000	90.00 x 89.00	48.00	8
SA-02-78000-50	78,000	90.00 x 89.00	48.00	8
SA-02-82000-15	82,000	102.00 x 82.00	48.00	9
SA-02-82000-30	82,000	102.00 x 82.00	48.00	9
SA-02-82000-50	82,000	102.00 x 82.00	48.00	9
SA-02-86000-15	86,000	102.00 x 86.00	48.00	9
SA-02-86000-30	86,000	102.00 x 86.00	48.00	9
SA-02-86000-50	86,000	102.00 x 86.00	48.00	9
SA-02-90000-15	90,000	102.00 x 90.00	48.00	9
SA-02-90000-30	90,000	102.00 x 90.00	48.00	9
SA-02-90000-50	90,000	102.00 x 90.00	48.00	9
SA-02-94000-15	94,000	102.00 x 94.00	48.00	9
SA-02-94000-30	94,000	102.00 x 94.00	48.00	9
SA-02-94000-50	94,000	102.00 x 94.00	48.00	9
SA-02-98000-15	98,000	102.00 x 98.00	48.00	9
SA-02-98000-30	98,000	102.00 x 98.00	48.00	9
SA-02-98000-50	98,000	102.00 x 98.00	48.00	9
SA-02-102000-15	102,000	102.00 x 102.00	48.00	9
SA-02-102000-30	102,000	102.00 x 102.00	48.00	9
SA-02-102000-50	102,000	102.00 x 102.00	48.00	9

Notes

- 3D model files and general arrangement drawings with installation details available upon order.

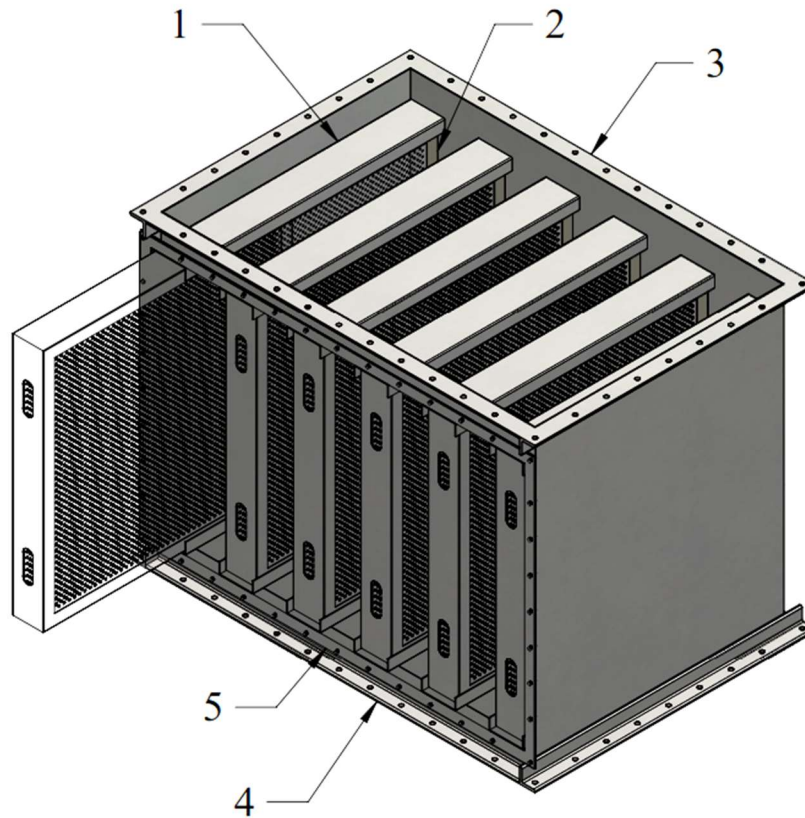
Standard rectangular flange details



"M" Largest Dimension Width or Height		"L" Flange Leg	"G" Gauge	"S" Hole Diameter	Bolt Size
M _{LOWER}	M _{UPPER}				
inches	inches	inches	inches	inches	inches
0	31.00	1.50	0.875	0.500	3/8
31.01	39.00	2.00	1.125	0.500	3/8
39.01	78.00	2.50	1.375	0.625	1/2
78.01	101.00	3.00	1.750	0.625	1/2
101.01	120.00	4.00	2.250	0.625	1/2

Notes

1. "X" is minimum 2.50in and maximum 8.50in.
2. If "X" is greater than 6.00in, add an extra hole 3.00in from corner hole.
3. Holes always land on centerlines and corners.



Parts list

Number	Quantity	Description
1	Varies	Slide rail channel
2	Varies	Removable panels with sound attenuating media
3	1	Inlet/outlet
4	1	Outlet/inlet
5	1	Removable maintenance cover

Notes

1. All hardware provided. Unit is assembled when delivered.

How to order

To fully specify the SA-02 Rectangular Absorptive Silencer, make a selection from the code boxes below.

Example: SA-02-38000-2-P-3-30-S, shown below, is a rectangular absorptive silencer with 316 stainless steel as the primary material, closed cell polyurethane sound attenuating media, type 18-8 stainless steel hardware, a 30inWC pressure rating, and our standard flange bolt patterns.

1	2	3	4	5	6	7	8
SA	02	38000	2	P	3	30	S
Specifications							
Please provide a drawing for our approval of the specified silencer.							

1	Equipment type		
SA	Sound Attenuator		
2	Equipment sub-type		
02	Rectangular Absorptive Silencer		
3	Nominal capacity		
10000	Nominal 10,000cfm	62000	Nominal 62,000cfm
14000	Nominal 14,000cfm	66000	Nominal 66,000cfm
18000	Nominal 18,000cfm	70000	Nominal 70,000cfm
22000	Nominal 22,000cfm	74000	Nominal 74,000cfm
26000	Nominal 26,000cfm	78000	Nominal 78,000cfm
30000	Nominal 30,000cfm	82000	Nominal 82,000cfm
34000	Nominal 34,000cfm	86000	Nominal 86,000cfm
38000	Nominal 38,000cfm	90000	Nominal 90,000cfm
42000	Nominal 42,000cfm	94000	Nominal 94,000cfm
46000	Nominal 46,000cfm	98000	Nominal 98,000cfm
50000	Nominal 50,000cfm	102000	Nominal 102,000cfm
54000	Nominal 54,000cfm	C	Customer Specified Capacity
58000	Nominal 58,000cfm		
4	Primary material		
1	304 Stainless Steel	4	Painted Carbon Steel, Moderate Exposure
2	316 Stainless Steel	C	Customer Specified Material
3	Corten Steel		
5	Sound attenuating media material		
M	4lb Mineral Wool	C	Customer Specified Material
P	Closed Cell Polyurethane		
6	Hardware material		
1	304 Stainless Steel	4	Zinc Chromate Grade 5
2	316 Stainless Steel	5	Carbon Steel Grade 5
3	Type 18-8 Stainless Steel	C	Customer Specified Material
7	Pressure rating		
15	15inWC, Up to 1500fpm Face Velocity	50	50inWC, Up to 1500fpm Face Velocity
30	30inWC, Up to 1500fpm Face Velocity	C	Customer Specified Pressure Rating
8	Flange bolt pattern		
S	Standard	C	Customer Specified Flange Bolt Pattern

Many types of customizations are available upon request.

Note: There are various factors which should be considered when selecting a sound attenuator for a specific application. Some of these factors are outside of the scope of this data sheet. If you have any questions regarding the application, compatibility, or use of this sound attenuator, contact VentilationComponents.com for more information.

Contact@VentilationComponents.com