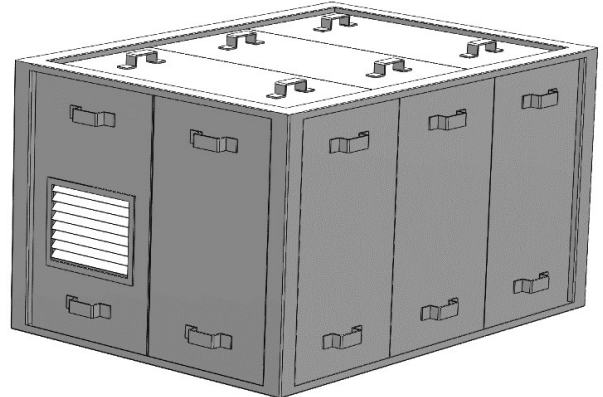


Standard Industrial Sound Attenuating Enclosure



VentilationComponents.com's
Sound attenuating enclosures
are durable and cost effective.

Application

- Use for absorptive type sound attenuation
- Unit is custom built to suit the enclosed equipment

Features

- Removable sound attenuating panels with handles
- Vented as required to suit internal heat gains
- Sizes to suit equipment, including openings for ducting and piping
- Available in a variety of materials

Benefits

- Simple, reliable, and easy to maintain
- Heavy duty construction

Function

- The removable panels hold sound attenuating media between a solid exterior sheet and a perforated inner plate
- Noise generating equipment is housed within
- Vents are sized to suit internal heat gains

Options

Size

The unit is custom built.

Noise Reduction Amount

The amount of noise reduction to expect is application dependent and is provided during the ordering stage.

Materials

A variety of materials are offered to suit different applications.

Primary material

- 304 stainless steel
- 316 stainless steel
- Corten steel
- Carbon steel painted, moderate exposure

Sound attenuating media material

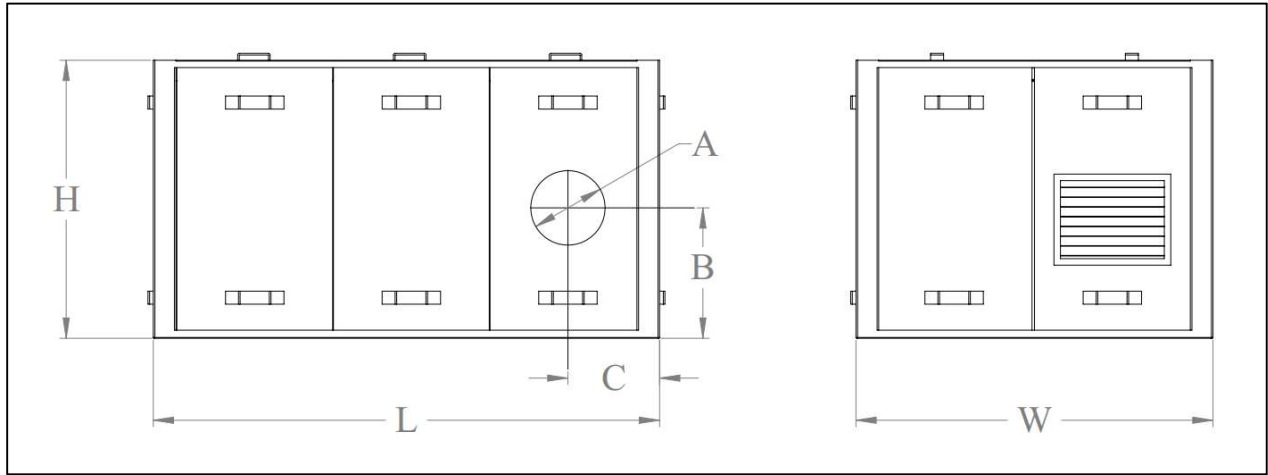
- 4lb mineral wool
- Closed cell polyurethane

Hardware material

- 304 stainless steel
- 316 stainless steel
- Type 18-8 stainless steel
- Zinc chromate grade 5
- Carbon steel grade 5

Other materials not listed are available upon request.

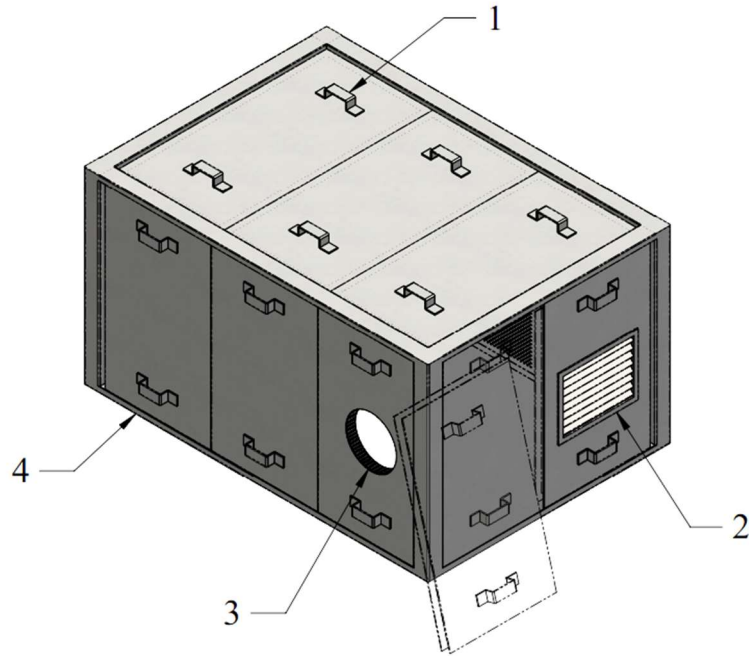
Data and dimensions



Item Number	"H" Nominal Size	"L" Nominal Size	"W" Height	"A" Opening Size	"B"	"C"	Total Number of Panels	Vent Size
	inches	inches	inches	inches	inches	inches	quantity	inches
SA-03-ALL	Application dependent							

Notes

1. 3D model files and general arrangement drawings with installation details available upon order.



Parts list

Number	Quantity	Description
1	Varies	Removable panel with sound attenuating media
2	Varies	Vent
3	Varies	Opening for piping
4	1	Frame

Notes

1. All hardware provided. Unit assembly is dependent upon shipping requirements.

How to order

To fully specify the SA-03 Sound Attenuating Enclosure, make a selection from the code boxes below.

Example: SA-03-C-2-P-3, shown below, is a sound attenuating enclosure with 316 stainless steel as the primary material, closed cell polyurethane sound attenuating media, and type 18-8 stainless steel hardware. The customer has provided a document that details the application for the sound attenuator to suit.

1	2	3	4	5	6
SA	03	C	2	P	3
Specifications					
Please provide a drawing for our approval of the specified enclosure that suits the application detailed in the attached document.					

1	Equipment type				
SA	Sound Attenuator				
2	Equipment sub-type				
03	Sound Attenuating Enclosure				
3	Size				
C	Customer Specified Size				
4	Primary material				
1	304 Stainless Steel	4	Painted Carbon Steel, Moderate Exposure		
2	316 Stainless Steel	C	Customer Specified Material		
3	Corten Steel				
5	Sound attenuating media material				
M	4lb Mineral Wool	C	Customer Specified Material		
P	Closed Cell Polyurethane				
6	Hardware material				
1	304 Stainless Steel	4	Zinc Chromate Grade 5		
2	316 Stainless Steel	5	Carbon Steel Grade 5		
3	Type 18-8 Stainless Steel	C	Customer Specified Material		

Many types of customizations are available upon request.

Note: There are various factors which should be considered when selecting a sound attenuator for a specific application. Some of these factors are outside of the scope of this data sheet. If you have any questions regarding the application, compatibility, or use of this sound attenuator, contact VentilationComponents.com for more information.

Contact@VentilationComponents.com