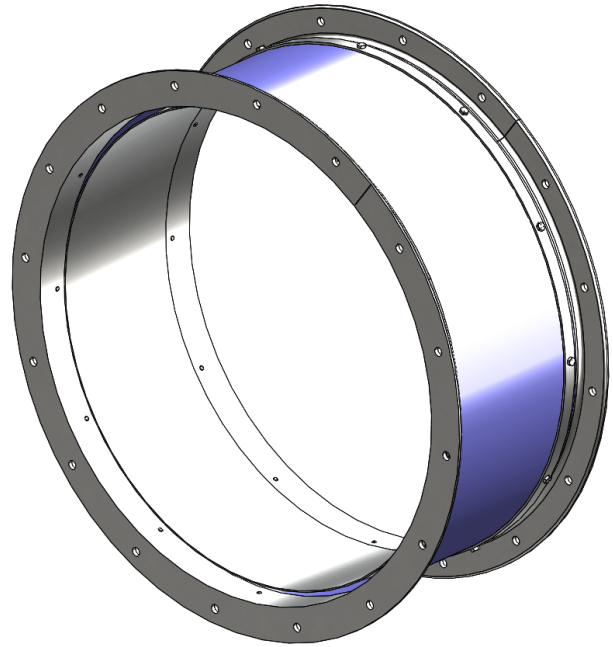


Standard Industrial Round Isolator

VentilationComponents.com's round isolators are durable and cost effective.



Application

- Provides isolation between round flanged duct connections
- Various sizes available, built to suit round ducts and equipment
- Pressure ratings ranging from 15inWC to 50inWC, with higher pressure ratings up to 100inWC available upon request

Features

- Flanged inlet and outlet connections
- Available in a variety of materials

Benefits

- Short flange to flange connection
- Allows for thermal expansion or contraction and for removal or installation of adjacent components
- Isolates equipment to minimize transmission of vibration or noise
- Simple, reliable, and easy to maintain
- Heavy duty construction

Options

Size

Sizes ranging from 8.00in diameter to 68.00in diameter are available. For larger sizes, see our insulated vibration isolators.

Pressure rating

Three different pressure ratings are offered: 15inWC, 30inWC, and 50inWC. Custom pressure ratings up to 100inWC are available upon request.

Maximum Movements

The maximum lateral, axial, compression, and extension movements provided in this data sheet can be increased or customized upon request.

Flange bolt pattern

The flange bolt pattern follows our standard. Different patterns are available upon request.

Materials

A variety of materials are offered to suit different applications.

Primary material

- 304 stainless steel
- 316 stainless steel
- Corten steel
- Carbon steel painted, moderate exposure

Fabric material

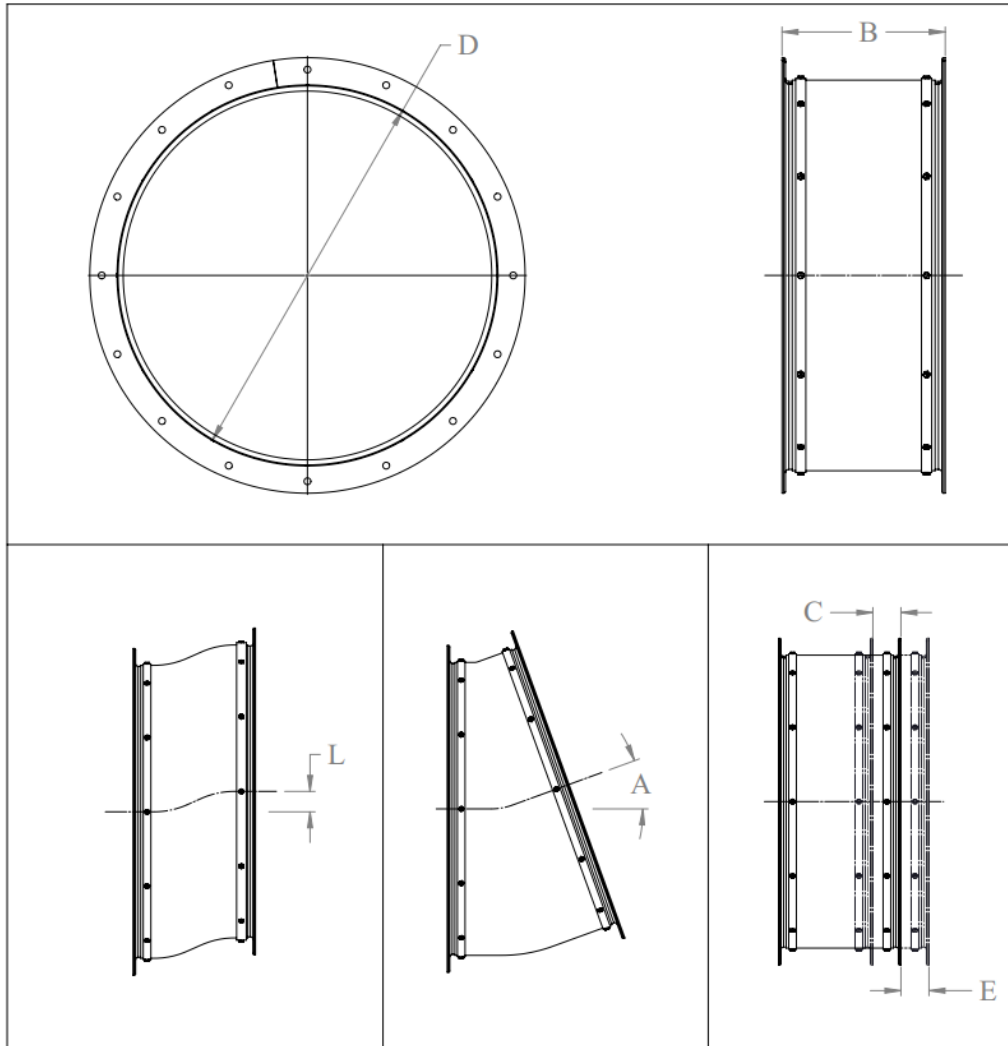
- Teflon impregnated glass fabric
- Silicone impregnated glass fabric

Hardware material

- 304 stainless steel
- 316 stainless steel
- Type 18-8 stainless steel
- Zinc chromate grade 5
- Carbon steel grade 5

Other materials not listed are available upon request.

Data and dimensions



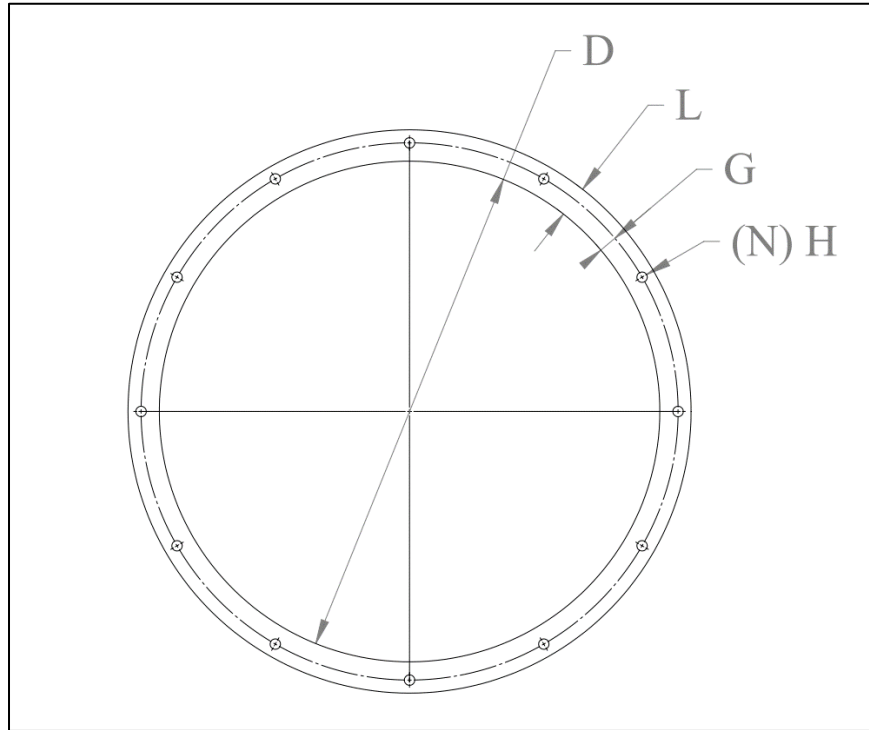
Item Number	"D" Nominal Size		Nominal Pressure Rating	"B" Length	"L" Maximum Lateral Offset	"A" Maximum Angular Offset	"C" Maximum Compression	"E" Maximum Extension
	D _{LOWER}	D _{UPPER}						
	inches	inches						
VI-01-[8.00 to 16.00]-15	8.00	16.00	15	4.50	0.50	5.0	0.75	0.75
VI-01-[8.00 to 16.00]-30	8.00	16.00	30	4.50	0.50	5.0	0.75	0.75
VI-01-[8.00 to 16.00]-50	8.00	16.00	50	4.50	0.50	5.0	0.75	0.75
VI-01-[16.01 to 24.00]-15	16.01	24.00	15	5.50	0.50	5.0	0.75	0.75
VI-01-[16.01 to 24.00]-30	16.01	24.00	30	5.50	0.50	5.0	0.75	0.75
VI-01-[16.01 to 24.00]-50	16.01	24.00	50	5.50	0.50	5.0	0.75	0.75
VI-01-[24.01 to 31.00]-15	24.01	31.00	15	6.25	0.50	5.0	0.75	0.75
VI-01-[24.01 to 31.00]-30	24.01	31.00	30	6.25	0.50	5.0	0.75	0.75
VI-01-[24.01 to 31.00]-50	24.01	31.00	50	6.25	0.50	5.0	0.75	0.75
VI-01-[31.01 to 39.00]-15	31.01	39.00	15	7.00	0.50	5.0	1.00	1.00
VI-01-[31.01 to 39.00]-30	31.01	39.00	30	7.00	0.50	5.0	1.00	1.00
VI-01-[31.01 to 39.00]-50	31.01	39.00	50	7.00	0.50	5.0	1.00	1.00

Item Number	"D" Nominal Size		Nominal Pressure Rating	"B" Length	"L" Maximum Lateral Offset	"A" Maximum Angular Offset	"C" Maximum Compression	"E" Maximum Extension
	D _{LOWER}	D _{UPPER}						
	inches	inches						
VI-01-[39.01 to 46.00]-15	39.01	46.00	15	7.50	0.75	5.0	1.25	1.25
VI-01-[39.01 to 46.00]-30	39.01	46.00	30	7.50	0.75	5.0	1.25	1.25
VI-01-[39.01 to 46.00]-50	39.01	46.00	50	7.50	0.75	5.0	1.25	1.25
VI-01-[46.01 to 54.00]-15	46.01	54.00	15	8.25	0.75	5.0	1.25	1.25
VI-01-[46.01 to 54.00]-30	46.01	54.00	30	8.25	0.75	5.0	1.25	1.25
VI-01-[46.01 to 54.00]-50	46.01	54.00	50	8.25	0.75	5.0	1.25	1.25
VI-01-[54.01 to 62.00]-15	54.01	62.00	15	9.25	0.75	5.0	1.25	1.25
VI-01-[54.01 to 62.00]-30	54.01	62.00	30	9.25	0.75	5.0	1.25	1.25
VI-01-[54.01 to 62.00]-50	54.01	62.00	50	9.25	0.75	5.0	1.25	1.25
VI-01-[62.01 to 68.00]-15	62.01	68.00	15	10.00	0.75	5.0	1.25	1.25
VI-01-[62.01 to 68.00]-30	62.01	68.00	30	10.00	0.75	5.0	1.25	1.25
VI-01-[62.01 to 68.00]-50	62.01	68.00	50	10.00	0.75	5.0	1.25	1.25

Notes

1. Nominal Size to be specified by customer.
2. 3D model files and general arrangement drawings with installation details available upon order.
3. Maximum combined movements are available upon request.

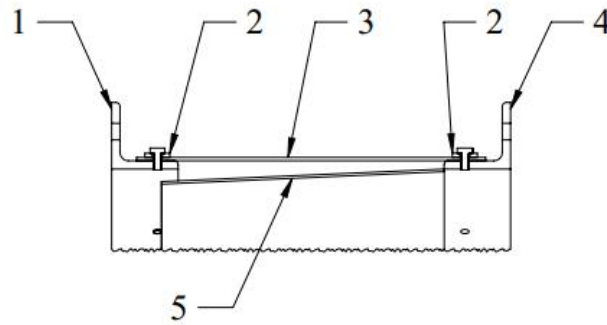
Standard round flange details



"D" Nominal Size		"L" Flange Leg	"G" Gauge	"N" Number of Holes	"H" Hole Diameter	Bolt Size
D _{LOWER}	D _{UPPER}					
inches	inches	inches	inches	quantity	inches	inches
0	8.00	1.50	0.875	4	0.500	3/8
8.01	16.00	1.50	0.875	8	0.500	3/8
16.01	24.00	1.50	0.875	12	0.500	3/8
24.01	31.00	1.50	0.875	16	0.500	3/8
31.01	39.00	2.00	1.125	20	0.500	3/8
39.01	46.00	2.50	1.375	24	0.625	1/2
46.01	54.00	2.50	1.375	28	0.625	1/2
54.01	62.00	2.50	1.375	32	0.625	1/2
62.01	70.00	2.50	1.375	36	0.625	1/2
70.01	78.00	2.50	1.375	40	0.625	1/2
78.01	86.00	3.00	1.750	44	0.625	1/2
86.01	94.00	3.00	1.750	48	0.625	1/2
94.01	101.00	3.00	1.750	52	0.625	1/2
101.01	108.00	4.00	2.250	56	0.625	1/2
108.01	120.00	4.00	2.250	60	0.625	1/2

Notes

1. Holes always land on centerlines.



Parts list

Number	Quantity	Description
1	1	Outlet Flange
2	2	Fabric clamping ring
3	1	Fabric
4	1	Inlet Flange
5	1	Flow Liner

Notes

1. All hardware provided, unit is assembled when delivered.
2. Comes with removable supports for shipping purposes.
3. Limit rods available upon request.

How to order

To fully specify the VI-01 Round Isolator, make a selection from the code boxes below.

Example: VI-01-C-2-E-3-30-S, shown below, is a round isolator with 316 stainless steel as the primary material, Teflon impregnated glass for the fabric material, type 18-8 stainless steel hardware, a 30inWC pressure rating, and our standard bolt pattern. The customer has specified that the isolator be 44.00in diameter.

1	2	3	4	5	6	7	8
VI	01	C	2	E	3	30	S
Specifications							
Please provide a drawing for our approval of a 44.00in diameter isolator, as specified.							

1	Equipment type		
VI	Vibration Isolator		
2	Equipment sub-type		
01	Round Isolator		
3	Nominal size		
C	Customer Specified Size		
4	Primary material		
1	304 Stainless Steel	4	Painted Carbon Steel, Moderate Exposure
2	316 Stainless Steel	C	Customer Specified Material
3	Corten Steel		
5	Fabric material		
E	Teflon Impregnated Glass Fabric	C	Customer Specified Material
S	Silicone Impregnated Glass Fabric		
6	Hardware material		
1	304 Stainless Steel	4	Zinc Chromate Grade 5
2	316 Stainless Steel	5	Carbon Steel Grade 5
3	Type 18-8 Stainless Steel	C	Customer Specified Material
7	Pressure rating		
15	15inWC, Up to 4500fpm	50	50inWC, Up to 6000fpm
30	30inWC, Up to 5000fpm	C	Customer Specified Pressure Rating
8	Flange bolt pattern		
S	Standard	C	Customer Specified Flange Bolt Pattern

Many types of customizations are available upon request.

Note: There are various factors which should be considered when selecting an isolator for a specific application. Some of these factors are outside of the scope of this data sheet. If you have any questions regarding the application, compatibility, or use of this isolator, contact VentilationComponents.com for more information.

Contact@VentilationComponents.com